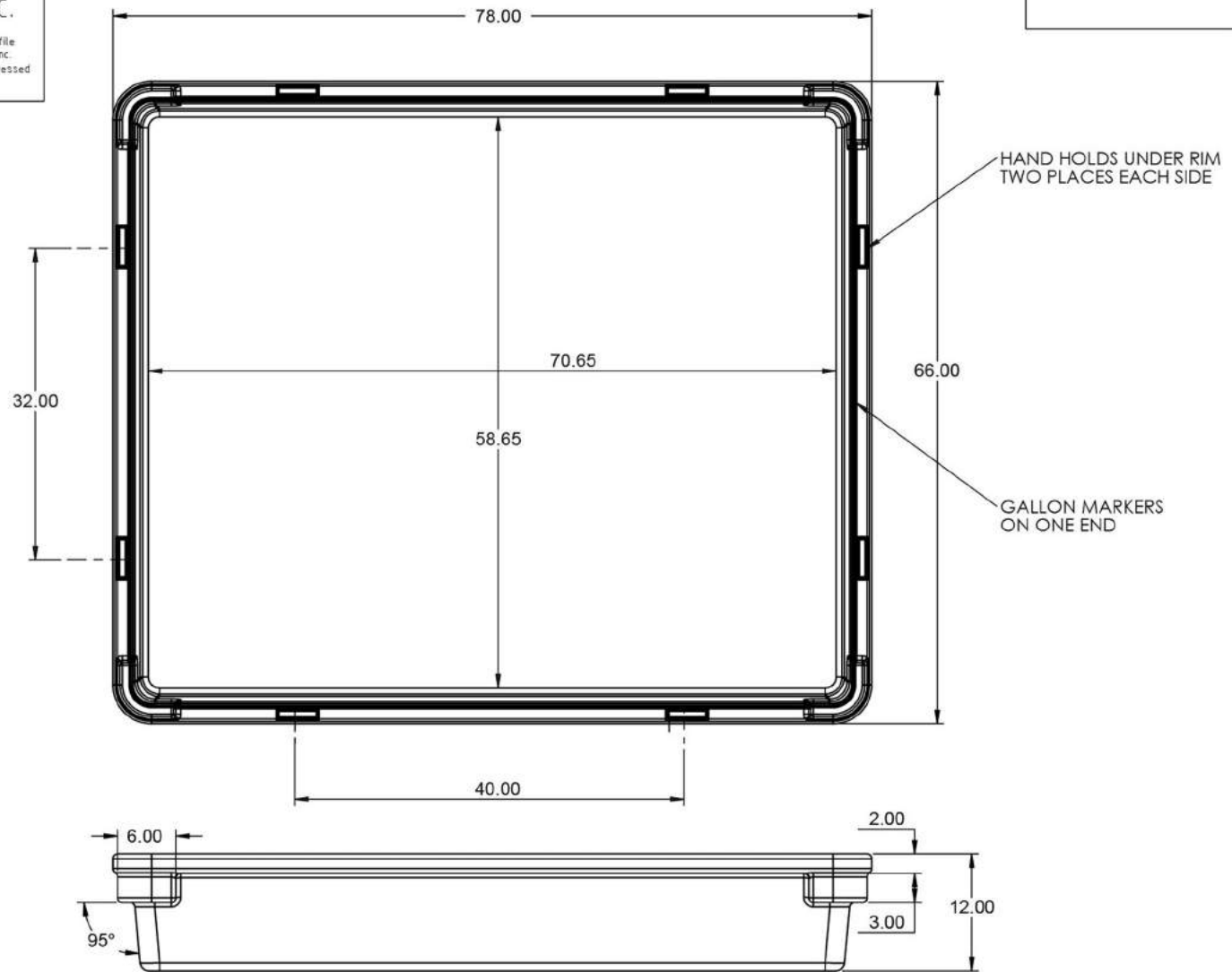


Copyright. All information furnished within this document, electronic file or design correspondence is the property of Den Hartog industries, Inc. and shall not be used, disclosed to others or copied without the expressed written consent of Den Hartog Industries, Inc.



				DRAWN / DATE ADH 5/22/09	MATERIAL 10538 2 MELT RESIN	
				APPRD. / DATE REH 5/26/09		
REV	DESCRIPTION	BY / DATE	CCN			
ALL DIMENSIONS ARE IN DECIMAL INCHES TOLERANCES UNLESS OTHERWISE SPECIFIED		THIRD ANGLE PROJECTION ANSI 14.5M		SHOT WEIGHT: 85 LB.	NOTES: 1.) .25 NOMINAL WALL 2.) NATURAL COLOR	DESCRIPTION 200 GALLON CONTAINMENT TANK
POLYETHYLENE ±1% @ 68° F		METAL DECIMAL ± .125" FRACTION ± 1/4" ANGLE ± 1°		SHIPPING WEIGHT: 78 LB.		SCALE N.S.