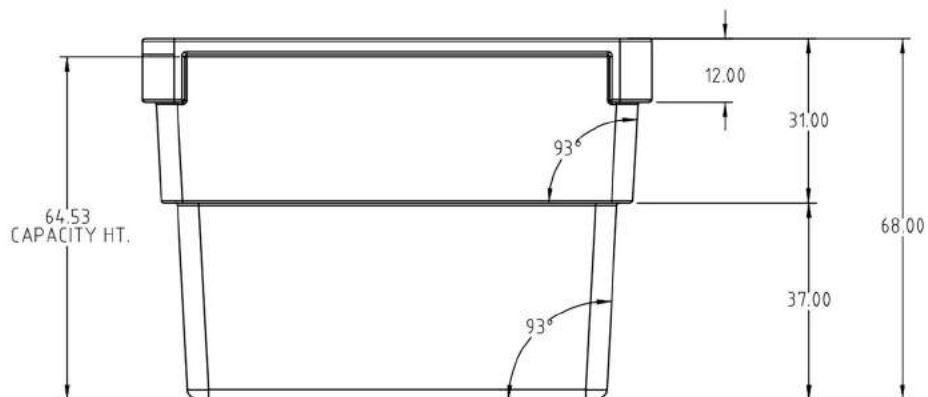
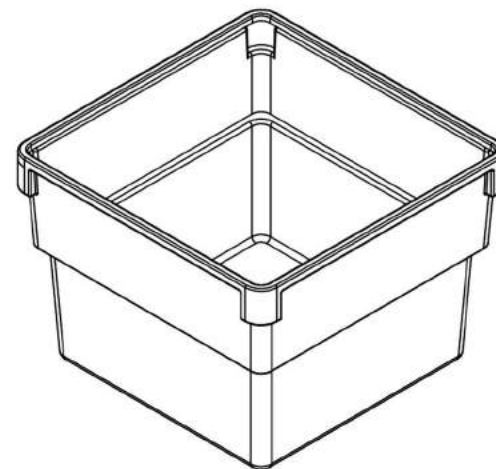
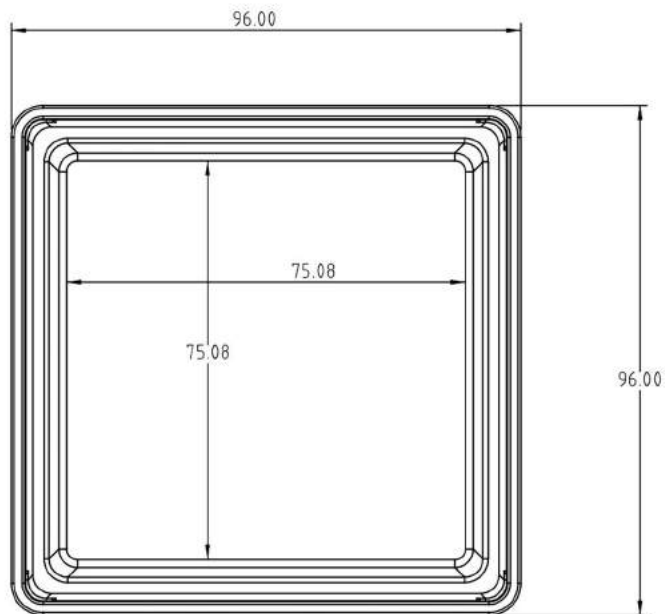


© DEN HARTOG INDUSTRIES, INC.

Copyright. All information furnished within this document, electronic file or design correspondence is the property of Den Hartog Industries, Inc. and shall not be used, disclosed to others or copied without the expressed written consent of Den Hartog Industries, Inc.



STACK 3 HIGH UPSIDE DOWN FOR STORAGE

				DRAWN / DATE REH // 6/15/10	MATERIAL 10538 POWDER		
				APPRD. / DATE DHJ 12/16/10			
REV	DESCRIPTION	BY / DATE	CCN				
ALL DIMENSIONS ARE IN DECIMAL INCHES TOLERANCES UNLESS OTHERWISE SPECIFIED		THIRD ANGLE PROJECTION ANSI 14.5M		SHOT WEIGHT: 632 LBS.	NOTES: 1. NATURAL COLOR STD. 2. NOMINAL WALL = .500	DESCRIPTION 2000 GALLON CONTAINMENT TANK	
POLYETHYLENE				SHIPPING WEIGHT: 570 LBS.		SCALE N.S.	PART NO.
±1% @ 68°F		METAL DECIMAL ± .125" FRACTION ± 1/4" ANGLE ± 1°		FINISH: BEAD BLAST			

OCA2000

(866) 776-8265

PROTANK

sales@protank.com