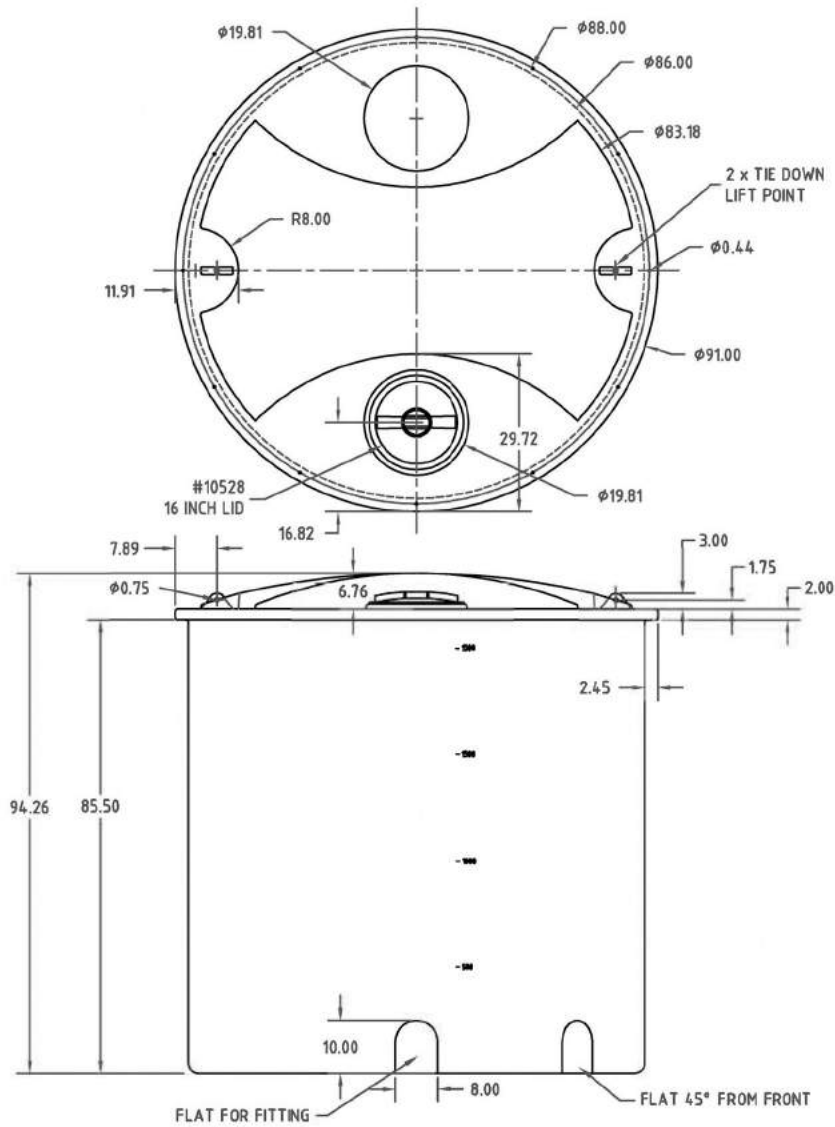
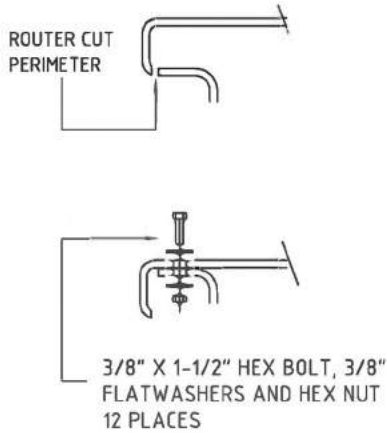


Copyright: All information furnished within this document, electronic file or design correspondence is the property of Den Hartog Industries, Inc. and shall not be used, disclosed to others or copied without the expressed written consent of Den Hartog Industries, Inc.

LID TRIM AND FASTENING DETAIL



				DRAWN / DATE DHJ 4/29/11	MATERIAL 10420	
				APPRD. / DATE REH 5/10/11		
REV	DESCRIPTION	BY / DATE	CCN			
ALL DIMENSIONS ARE IN DECIMAL INCHES TOLERANCES UNLESS OTHERWISE SPECIFIED		THIRD ANGLE PROJECTION ANSI 14.5M		SHOT WEIGHT: 400 LBS. SHIPPING WEIGHT: 402 LBS. FINISH:	NOTES: 1. .370 THICK AT FITTING	DESCRIPTION 2060 GALLON OPEN TOP TANK
POLYETHYLENE						SCALE N.S.      PART NO.
METAL DECIMAL ± .125" FRACTION ± 1/4" ANGLE ± 1°						