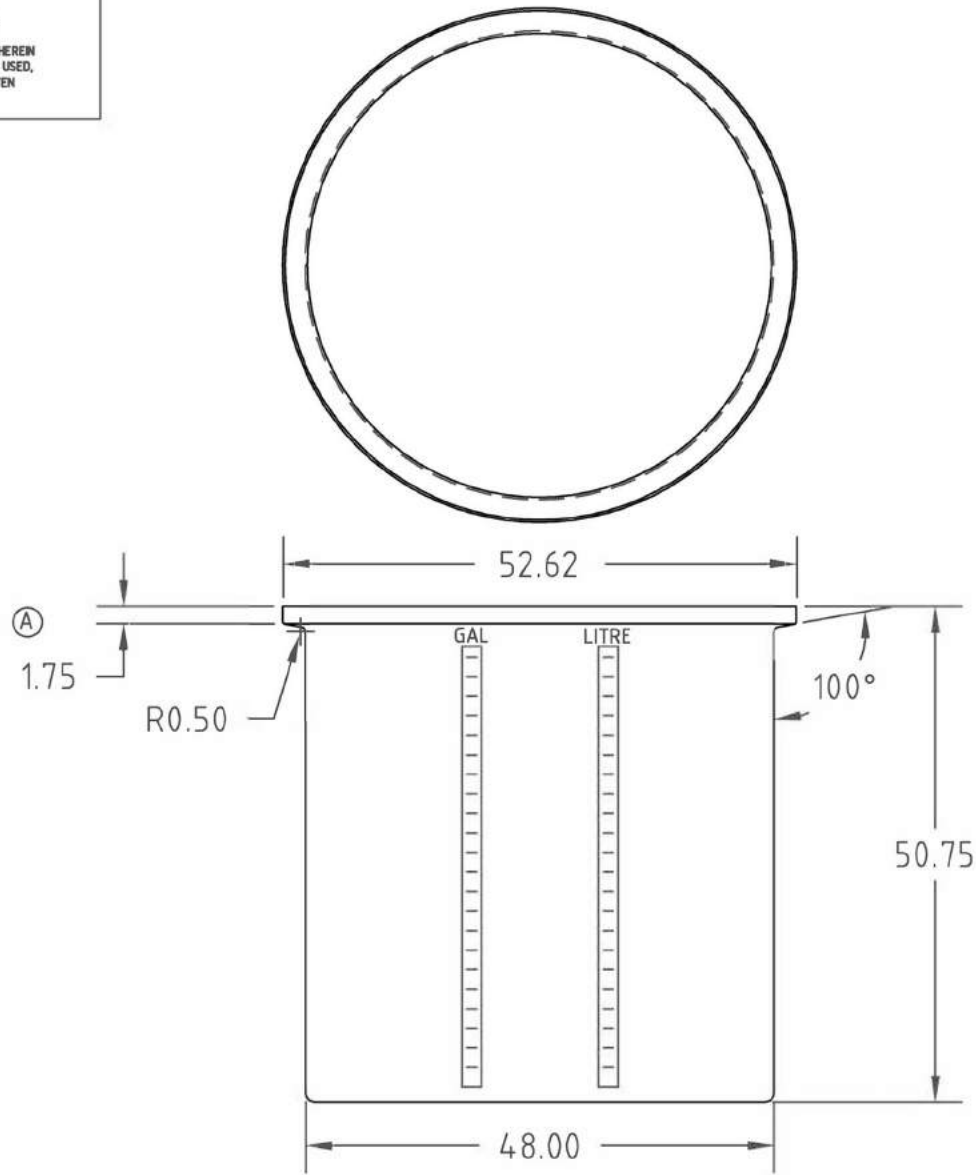


PROPRIETARY DATA

PROPERTY OF ACE ROTO-MOLD MFG., INC. INFORMATION FURNISHED HEREIN IS THE PROPERTY OF ACE ROTO-MOLD MFG., INC. AND SHALL NOT BE USED, DISCLOSED TO OTHERS, OR COPIED WITHOUT THE EXPRESSED WRITTEN CONSENT OF ACE ROTO-MOLD MFG., INC. ALL RIGHTS RESERVED.

C



C	WEIGHT WAS 84	8/19/08	DHJ	CCN1675	DRAWN / DATE	MATERIAL	—	
B	WAS OP0360-46 CCN 1408	8/1/07	REH		DHJ/6/2/03	HDPE OR EQUIVALENT REFERENCE MATERIAL DATA SHEET FOR SPECIFIC PROPERTIES.		
A	TOP LID WAS 1" NOW 1.75"	1/31/05			APPRD. / DATE		CLIENT / DESCRIPTION	
REV	DESCRIPTION	DATE	APPRD	CCN	ADH 11/14/07	360 GALLON OPEN TOP TANK		
ALL DIMENSIONS ARE IN DECIMAL INCHES TOLERANCES UNLESS OTHERWISE SPECIFIED ± 1% @ 68° F					THIRD ANGLE PROJECTION ANSI 14.5M 		NOTES: 1. .25 NOM. WALL 2. SHOT WEIGHT 115 LBS. ©	SCALE N.S. PART NO.

OCA360

(866) 776-8265

PROTANK

sales@protank.com