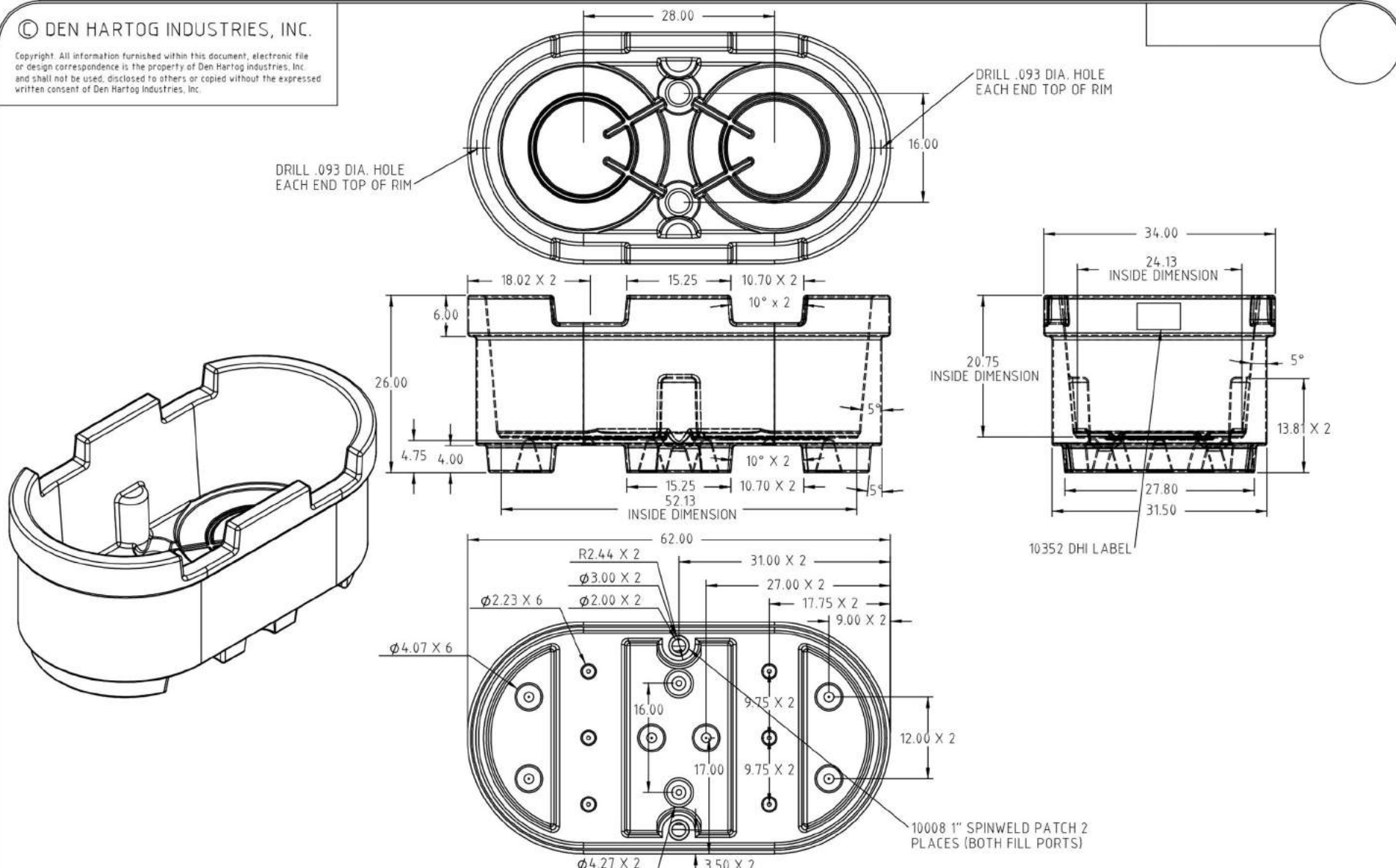


Copyright All information furnished within this document, electronic file or design correspondence is the property of Den Hartog Industries, Inc. and shall not be used, disclosed to others or copied without the expressed written consent of Den Hartog Industries, Inc.



				DRAWN / DATE ADH 12/1/09	MATERIAL	
				APPRD. / DATE REH 12/10/09	10546	
REV	DESCRIPTION	BY / DATE	CCN	SHOT WEIGHT: 70.00 LBS	NOTES: 1.) 0.190 WALL 2.) BLACK COLOR	DESCRIPTION 2 DRUM CONTAINMENT TANK
	ALL DIMENSIONS ARE IN DECIMAL INCHES TOLERANCES UNLESS OTHERWISE SPECIFIED POLYETHYLENE	THIRD ANGLE PROJECTION ANSI 14.5M		SHIPPING WEIGHT: 70.00 LBS		SCALE N.S.
	±1% @ 68°F			FINISH:		PART NO.
	METAL DECIMAL ± .125" FRACTION ± 1/4" ANGLE ± 1°					