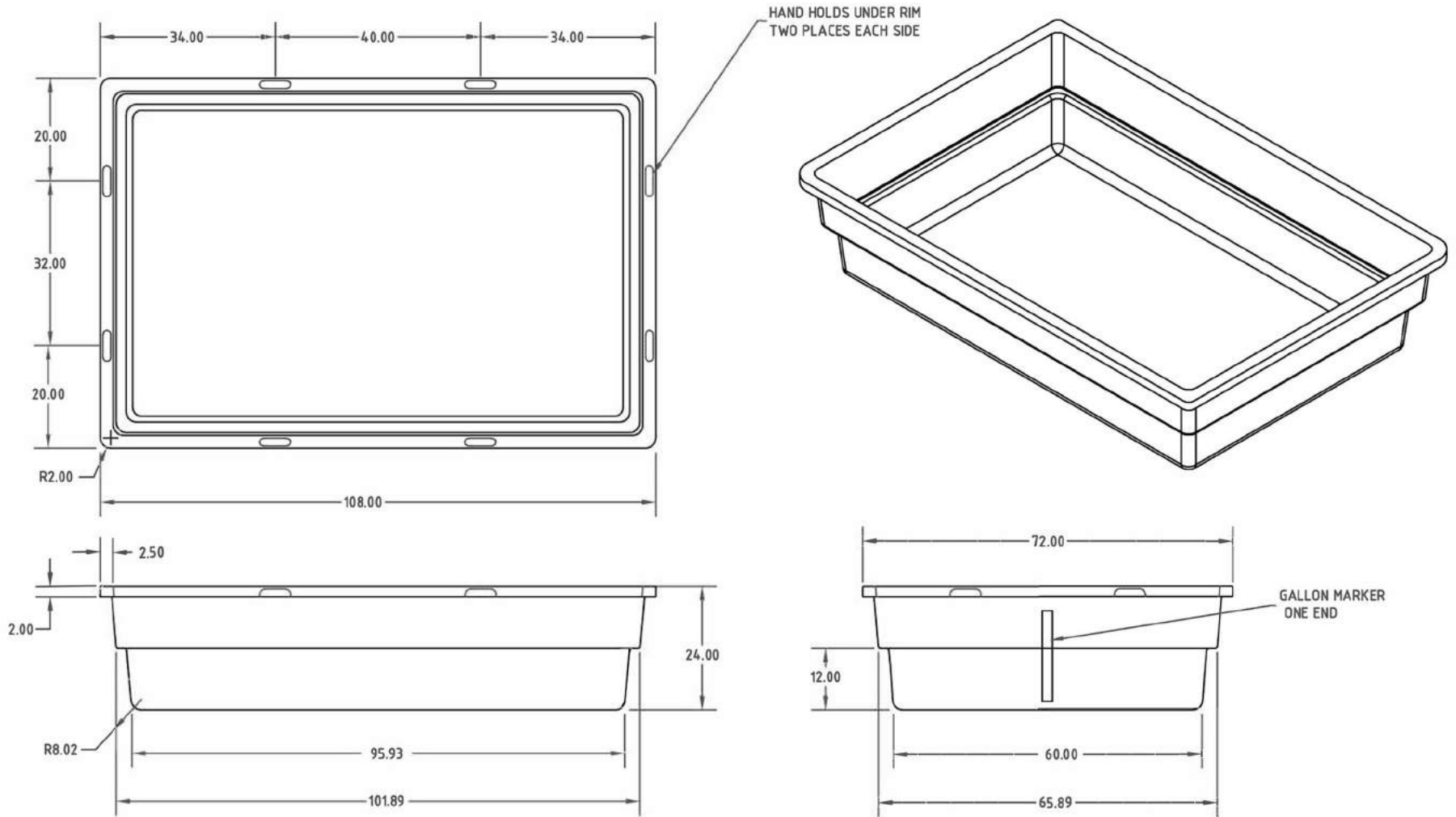


PROPRIETARY DATA

INFORMATION FURNISHED HEREIN IS THE PROPERTY OF DEN HARTOG INDUSTRIES INC. AND SHALL NOT BE USED, DISCLOSED TO OTHERS, OR COPIED WITHOUT EXPRESSED WRITTEN CONSENT OF DEN HARTOG IND. ALL RIGHTS RESERVED.



		DRAWN /DATE DHJ 2/5/08		MATERIAL	
		APPRD. /DATE REH 6/25/08		SHOT WEIGHT = 145 LBS. = .25 WALL 10538 2 MELT NATURAL RESIN	
REV	DESCRIPTION	DATE	APPRD.	CCN	CLIENT / DESCRIPTION
					625 GALLON CONTAINMENT TANK
ALL DIMENSIONS ARE IN DECIMAL INCHES TOLERANCES UNLESS OTHERWISE SPECIFIED ± 1 % @ 68°F			THIRD ANGLE PROJECTION ANSI 14.5M 		NOTES:
			SCALE NONE		PART NO.

OCA625

(866) 776-8265

PROTANK

sales@protank.com