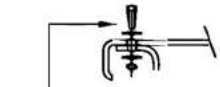
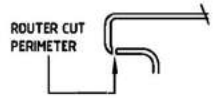
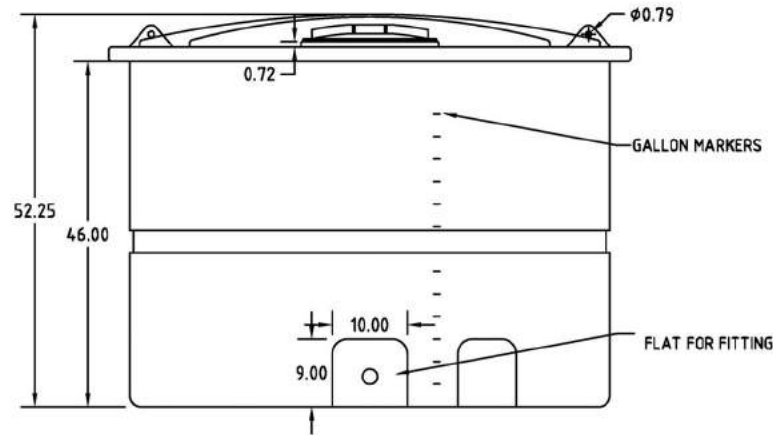
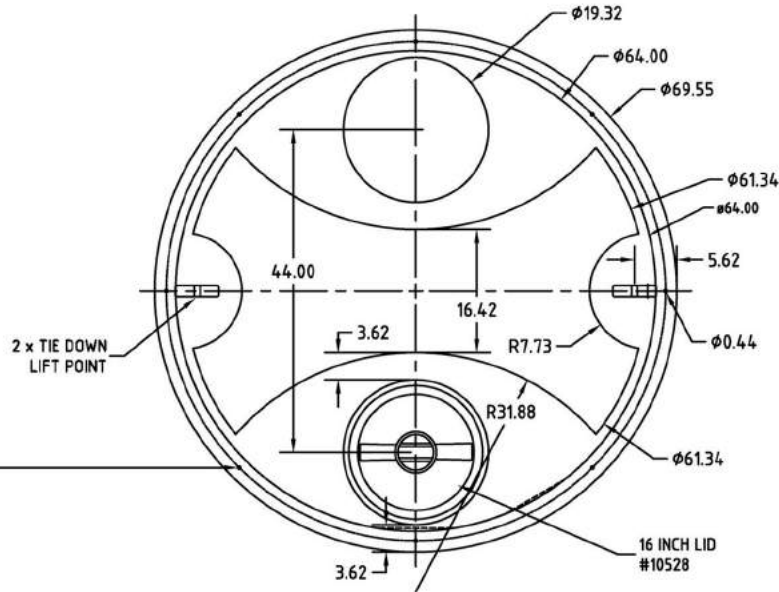


Copyright. All information furnished within this document, electronic file or design correspondence is the property of Den Hartog Industries, Inc. and shall not be used, disclosed to others or copied without the expressed written consent of Den Hartog Industries, Inc.

LID TRIM AND FASTENING DETAIL



3/8" X 1-1/2" HEX BOLT, 3/8" FLATWASHERS AND HEX NUT 8 PLACES



				DRAWN / DATE DHJ 2/2/12	MATERIAL 10420	
				APPRD. / DATE REH 3/6/12		
REV	DESCRIPTION	BY / DATE	CCN			
	ALL DIMENSIONS ARE IN DECIMAL INCHES TOLERANCES UNLESS OTHERWISE SPECIFIED			SHOT WEIGHT: 100 LBS.	NOTES: 1. .17 WALL	DESCRIPTION 635 GALLON OPEN TOP WITH BOLT ON TOP
	POLYETHYLENE ±1% @ 68° F			SHIPPING WEIGHT: 102 LBS.		SCALE N.S. PART NO.
	METAL DECIMAL ± .125" FRACTION ± 1/4" ANGLE ± 1°			FINISH:		

