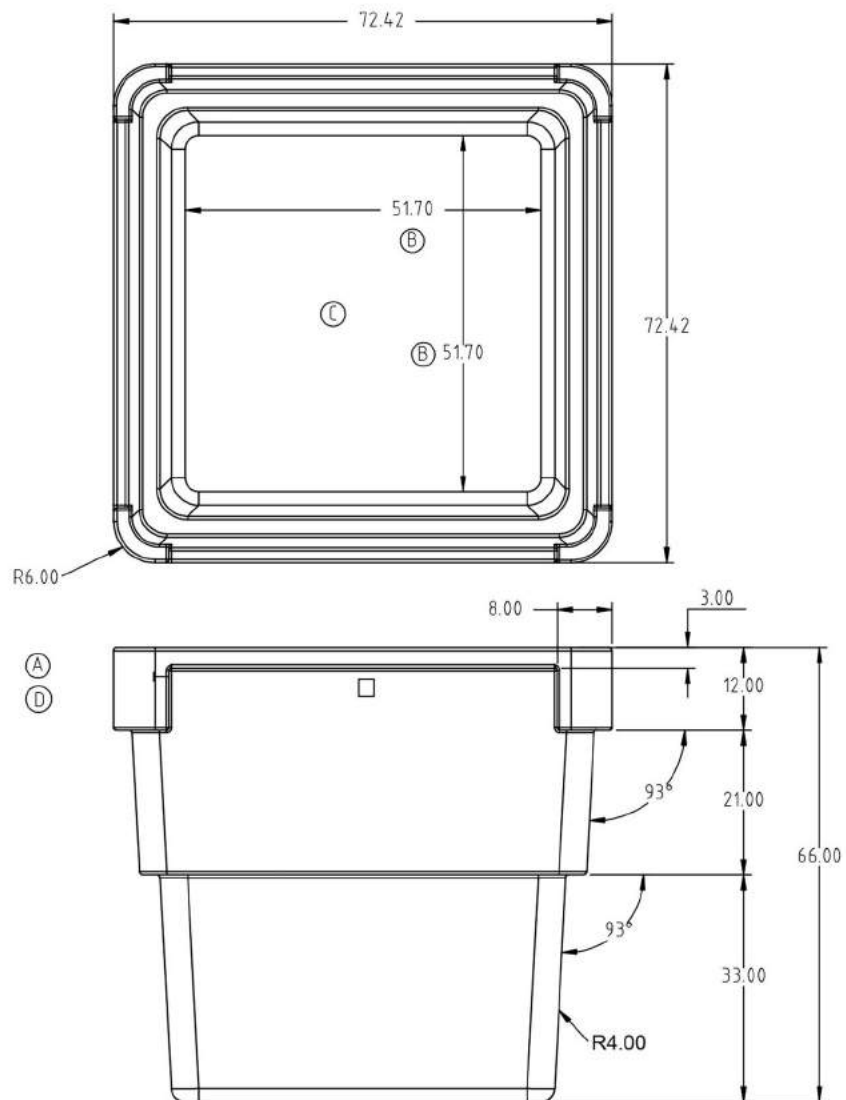


© DEN HARTOG INDUSTRIES, INC.

Copyright. All information furnished within this document, electronic file or design correspondence is the property of Den Hartog Industries, Inc. and shall not be used, disclosed to others or copied without the expressed written consent of Den Hartog Industries, Inc.

D



STACK 5 HIGH UPSIDE DOWN FOR STORAGE

REV	DESCRIPTION	BY / DATE	CCN	DRAWN / DATE	MATERIAL	DESCRIPTION	
D	REMOVED CORNER HOLES	REH 3/8/11	2185	ADH 6/25/08	10538 POWDER.	825 GALLON CONTAINMENT TANK	
C	RAISED CIRCULAR CENTER REMOVED	ADH 12/29/10	2144				
B	INSIDE BASE DIMENSIONS ADDED	ADH 8/3/09	1902	APPRD. / DATE			
A	ADDED CORNER HOLES	REH 1/5/09	1775	REH 7/1/08			
ALL DIMENSIONS ARE IN DECIMAL INCHES TOLERANCES UNLESS OTHERWISE SPECIFIED		THIRD ANGLE PROJECTION ANSI 14.5M		SHOT WEIGHT:	NOTES: 1. NATURAL COLOR STD. 2. .350 WALL THICKNESS	SCALE	PART NO.
POLYETHYLENE		METAL		288 LB.		N.S.	
±1% @ 68°F		DECIMAL ± .125" FRACTION ± 1/4" ANGLE ± 1°		SHIPPING WEIGHT: 276 LB.			
		FINISH:		BEAD BLAST			

OCA825

(866) 776-8265

PROTANK

sales@protank.com