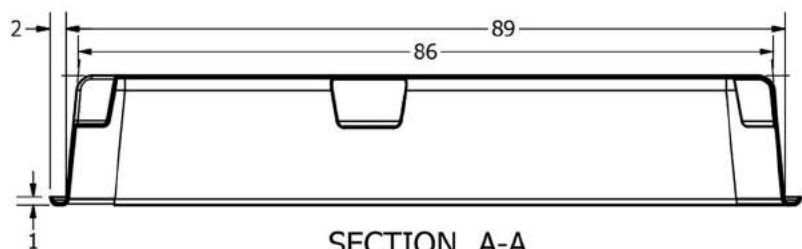
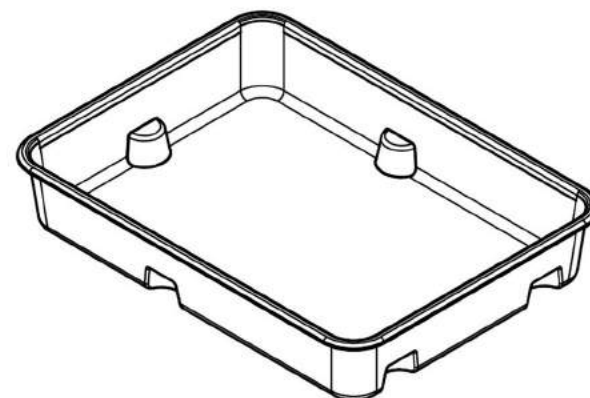


SECTION B-B
SCALE 1:16



SECTION A-A
SCALE 1:16

DRAWN Jerry Paulson	4/4/2008	TITLE 360 GALLON CONTAINMENT BASIN		
CHECKED				
QA				
MFG				
APPROVED		SIZE B	DWG NO	REV
		SCALE: 1/16	SHEET 1 OF 1	