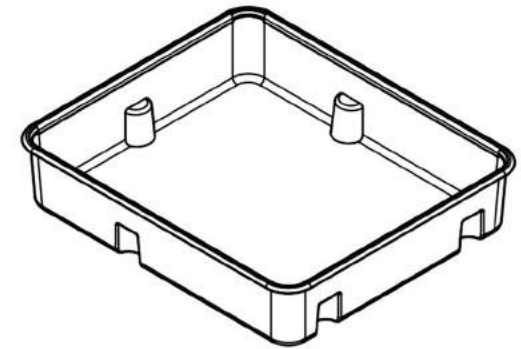


SECTION A-A
SCALE 1/8



DRAWN Jerry Paulson	11/20/2008		
CHECKED		TITLE	
QA		600 GALLON CONTAINMENT BASIN	
MFG		SIZE	DWG NO
APPROVED		B	REV
		SCALE: 1/16	SHEET 1 OF 1