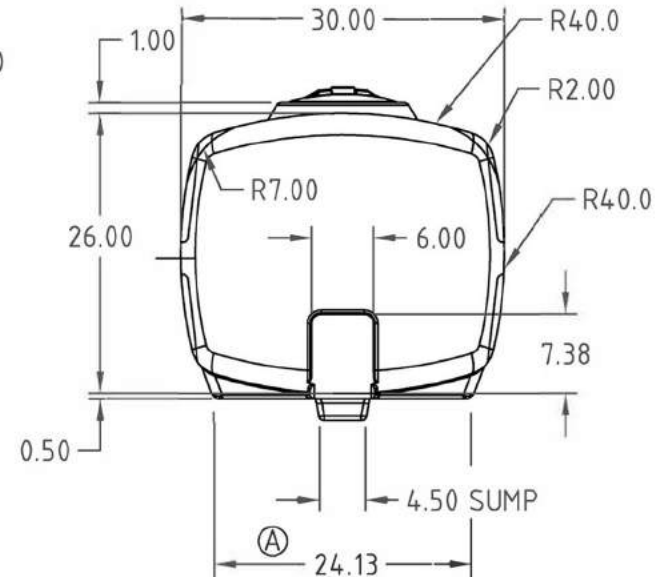
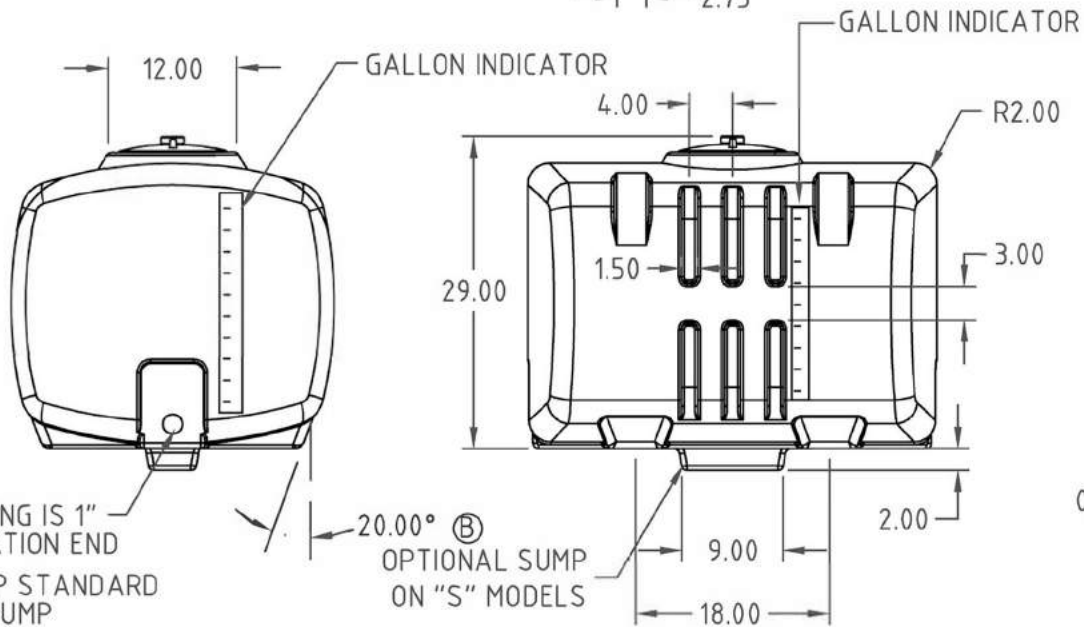
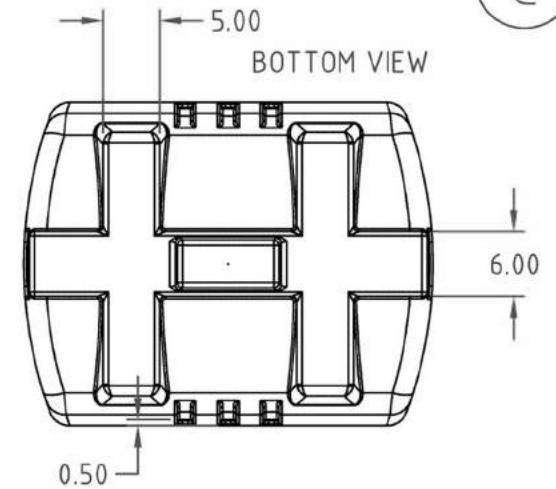
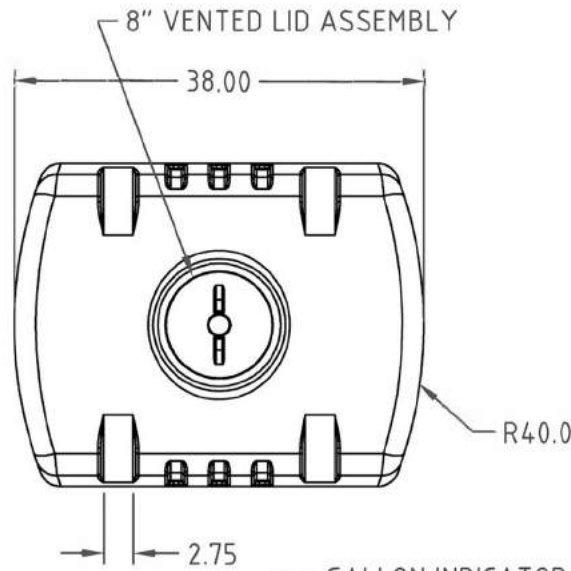


© DEN HARTOG INDUSTRIES, INC.

Copyright. All information furnished within this document, electronic file or design correspondence is the property of Den Hartog Industries, Inc. and shall not be used, disclosed to others or copied without the expressed written consent of Den Hartog Industries, Inc.



STANDARD FITTING IS 1" STANDARD LOCATION END  
TANK WITH SUMP STANDARD LOCATION IS IN SUMP

C	24.13 WAS 23.75	CCN1805	REH 2/18/09	DRAWN / DATE	MATERIAL	CLIENT / DESCRIPTION <b>100 GALLON PCO TANK</b>
B	"S" MODEL WAS "M"	CCN 1533	ADH 11/29/07	REH / 5/8/02	50 LB. MOBIL 134	
A	CLARIFY FITTING LOCATIONS	2/17/06	APPRD. / DATE	DHJ / 5/8/02		
REV	DESCRIPTION	DATE	APPRD			SCALE N.S.
ALL DIMENSIONS ARE IN DECIMAL INCHES TOLERANCES UNLESS OTHERWISE SPECIFIED ± 1% @ 68° F				THIRD ANGLE PROJECTION ANSI 14.5M	NOTES: 1. NATURAL COLOR 2. NOM. WALL .260	PART NO.

PCA100-S

(866) 776-8265

**PROTANK**

sales@protank.com