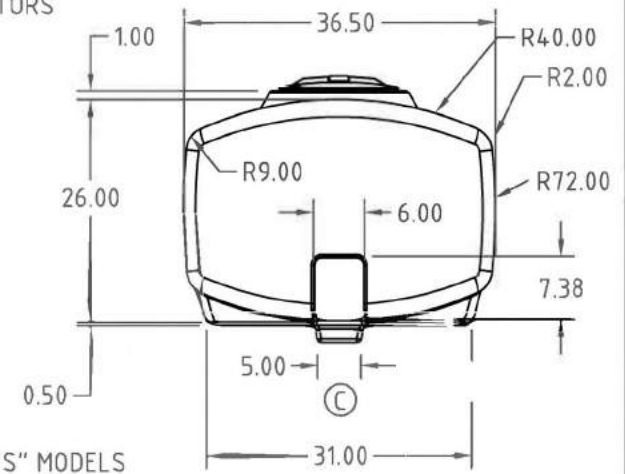
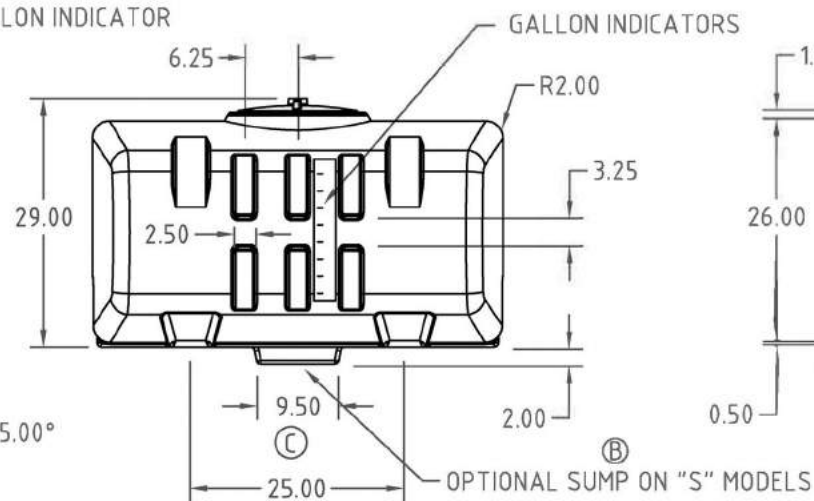
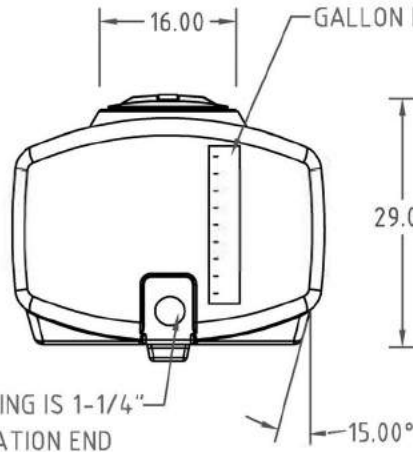
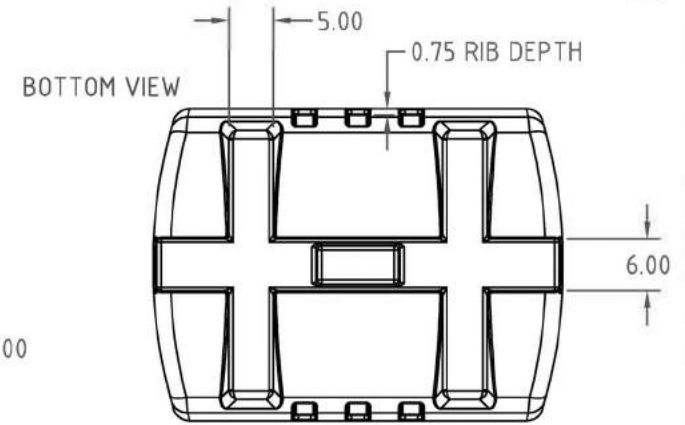
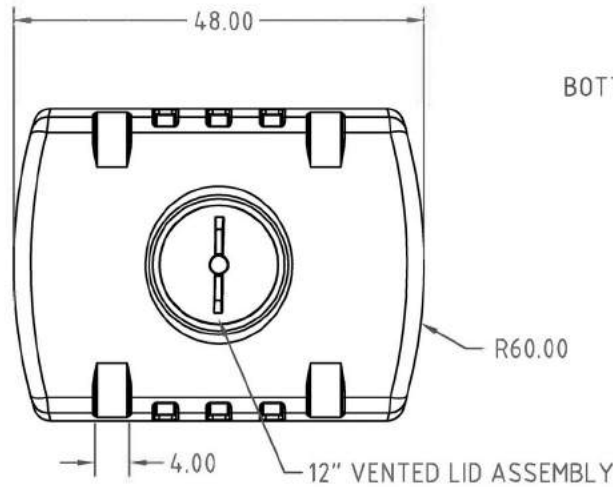


Copyright. All information furnished within this document, electronic file or design correspondence is the property of Den Hartog Industries, Inc. and shall not be used, disclosed to others or copied without the expressed written consent of Den Hartog Industries, Inc.



STANDARD FITTING IS 1-1/4"  
STANDARD LOCATION END  
TANK WITH SUMP STANDARD  
LOCATION IS IN SUMP

REV	DESCRIPTION	BY / DATE	CCN	DRAWN / DATE	MATERIAL	DESCRIPTION 150 GALLON PCO TANK
C	SUMP MADE 1/2" LARGER	DHJ 1/12/10	2001	REH / 2/20/03	1.) MOBIL 134	
B	"S" MODEL WAS "M"	ADH 11/29/07	1533	APPRD. / DATE		
A	CLARIFY FITTING LOCATIONS	2/17/06		DHJ / 2/20/03		
ALL DIMENSIONS ARE IN DECIMAL INCHES TOLERANCES UNLESS OTHERWISE SPECIFIED				SHOT WEIGHT: 61 LBS.		NOTES:
POLYETHYLENE ±1% @ 68° F		THIRD ANGLE PROJECTION ANSI 14.5M		SHIPPING WEIGHT:	1.) NATURAL COLOR	SCALE N.S.
METAL DECIMAL ±.125" FRACTION ± 1/4" ANGLE ± 1°				FINISH:	2.) NOM. WALL .240	PART NO.