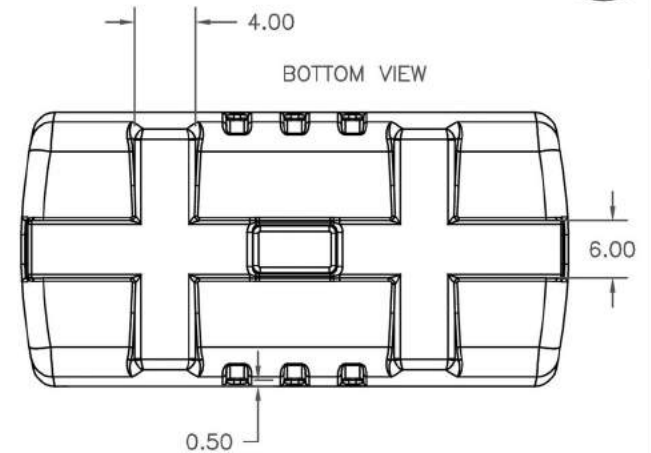
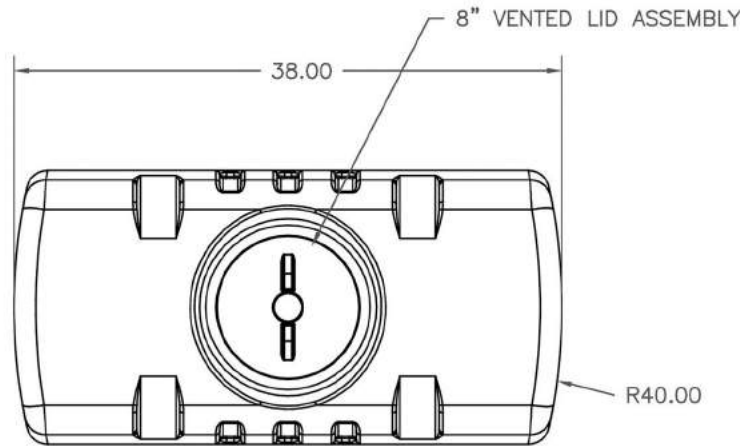


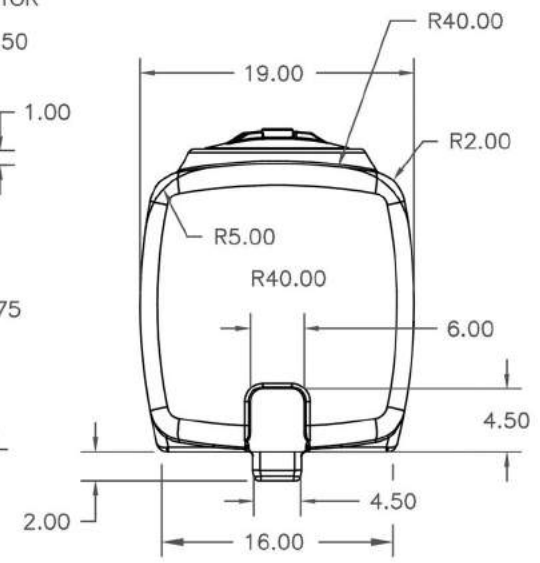
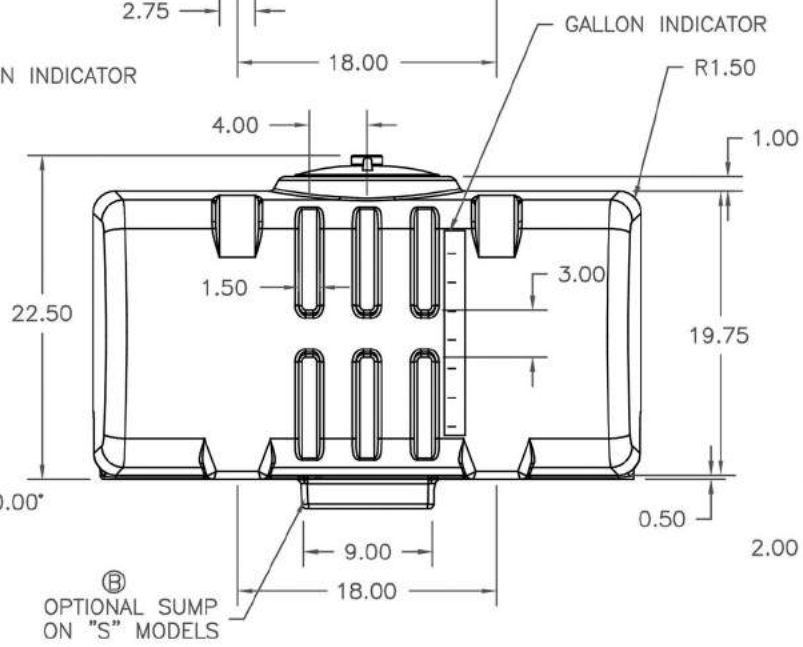
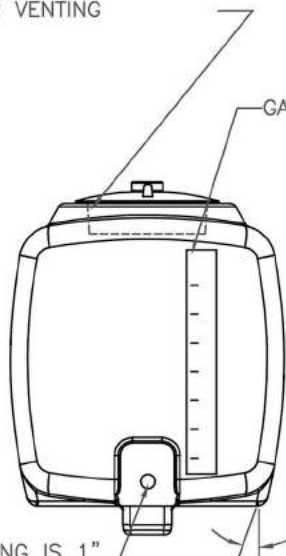
PROPRIETARY DATA

PROPERTY OF ACE ROTO-MOLD MFG., INC. INFORMATION FURNISHED HEREIN IS THE PROPERTY OF ACE ROTO-MOLD MFG., INC. AND SHALL NOT BE USED, DISCLOSED TO OTHERS, OR COPIED WITHOUT THE EXPRESSED WRITTEN CONSENT OF ACE ROTO-MOLD MFG., INC. ALL RIGHTS RESERVED.

B



DRILL 1 X .50 HOLE FOR VENTING



STANDARD FITTING IS 1" STANDARD LOCATION END
TANK WITH SUMP STANDARD LOCATION IS IN SUMP

				DRAWN / DATE	MATERIAL			
B	"S" MODEL WAS "M" CCN 1533	ADH 11/29/07		REH / 5/8/02	25 LB. MOBIL 134		CLIENT / DESCRIPTION	
A	CLARIFY FITTING LOCATIONS	2/17/06		APPRD. / DATE			50 GALLON PCO TANK	
REV	DESCRIPTION	DATE	APPRD	DHJ / 5/8/02			SCALE	PART NO.
ALL DIMENSIONS ARE IN DECIMAL INCHES TOLERANCES UNLESS OTHERWISE SPECIFIED ± .5% @ 68° F				THIRD ANGLE PROJECTION ANSI 14.5M	NOTES: 1. NATURAL COLOR 2. NOM. WALL .180		N.S.	