

PROPRIETARY DATA

PROPERTY OF ACE ROTO-MOLD MFG., INC. INFORMATION FURNISHED HEREIN IS THE PROPERTY OF ACE ROTO-MOLD MFG., INC. AND SHALL NOT BE USED, DISCLOSED TO OTHERS, OR COPIED WITHOUT THE EXPRESSED WRITTEN CONSENT OF ACE ROTO-MOLD MFG., INC. ALL RIGHTS RESERVED.

B

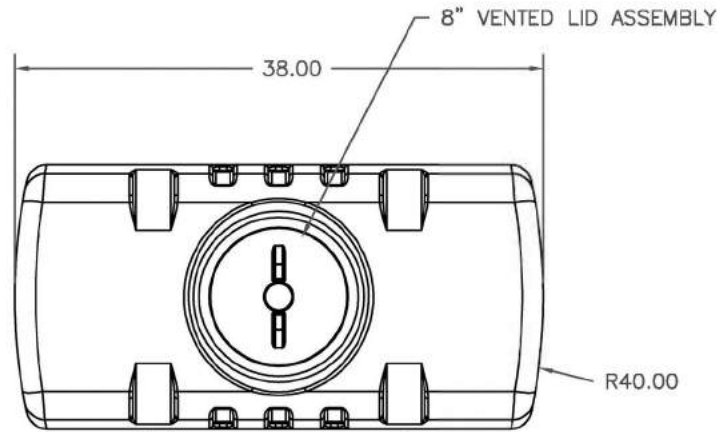
DRILL 1 X .50 HOLE FOR VENTING



GALLON INDICATOR

STANDARD FITTING IS 1" STANDARD LOCATION END

TANK WITH SUMP STANDARD LOCATION IS IN SUMP



8" VENTED LID ASSEMBLY

2.75

GALLON INDICATOR

18.00

GALLON INDICATOR

R1.50

4.00

1.50

3.00

22.50

19.75

20.00"

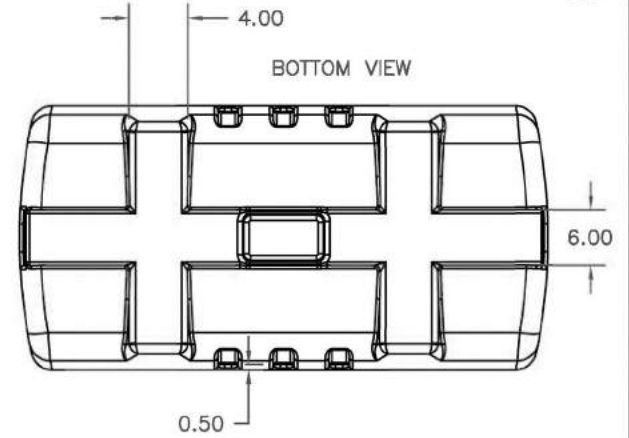
0.50

Ⓟ

OPTIONAL SUMP ON "S" MODELS

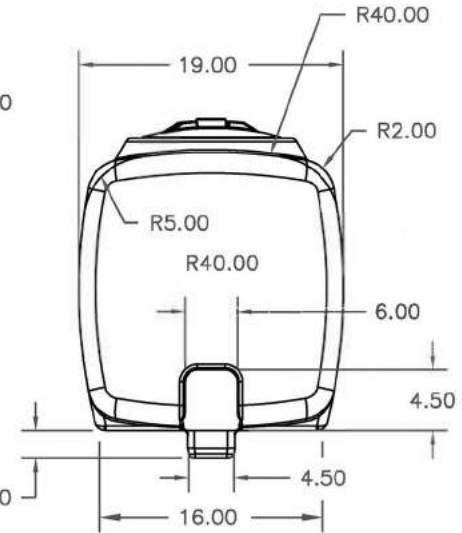
9.00

18.00



BOTTOM VIEW

0.50



2.00

16.00

4.50

6.00

R5.00

R40.00

R2.00

R40.00

R40.00

				DRAWN / DATE	MATERIAL		CLIENT / DESCRIPTION	
B	"S" MODEL WAS "M" CCN 1533	ADH 11/29/07	REH / 5/8/02	25 LB. MOBIL 134		50 GALLON PCO TANK		
A	CLARIFY FITTING LOCATIONS	2/17/06	APPRD. / DATE			SCALE N.S. PART NO.		
REV	DESCRIPTION	DATE	APPRD	DHJ / 5/8/02				
ALL DIMENSIONS ARE IN DECIMAL INCHES TOLERANCES UNLESS OTHERWISE SPECIFIED ± .5% @ 68° F				THIRD ANGLE PROJECTION ANSI 14.5M		NOTES: 1. NATURAL COLOR 2. NOM. WALL .180		