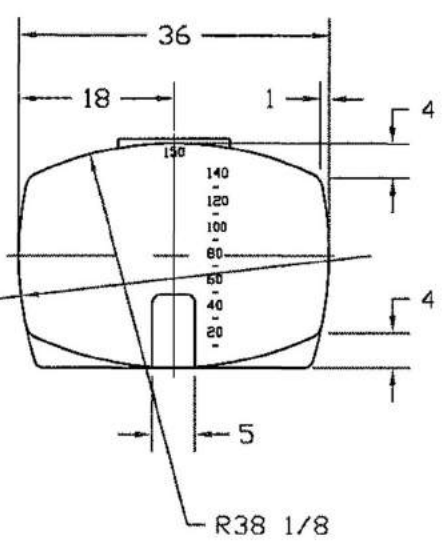
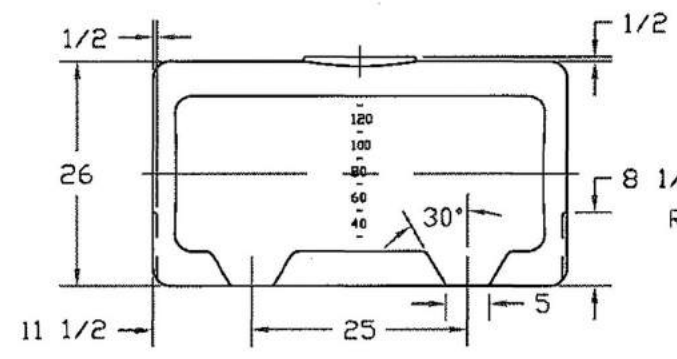
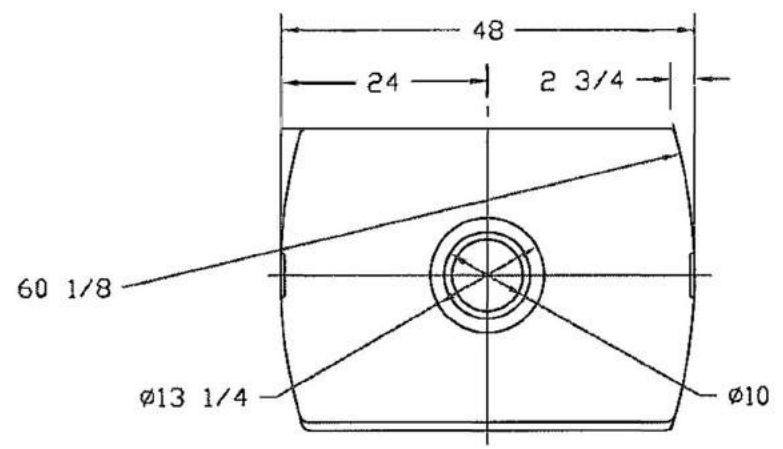


REVISIONS				
ZONE	REV	DESCRIPTION	DATE	APPROVED



- 25
- 20
- 15
- 10
- 5
- 0
- 9/16
- 7/8
- 5/16
- 3/16
- 1/4
- 3/4
- 1/4
- 1/4
- 3/4
- 1/4
- 3/16
- 1/2
- 0

150 GALLON PCO TANK				
JTP 20DEC95	SIZE B	PSCM NO.	DWG NO.	REV
SCALE 1/16		SHEET		