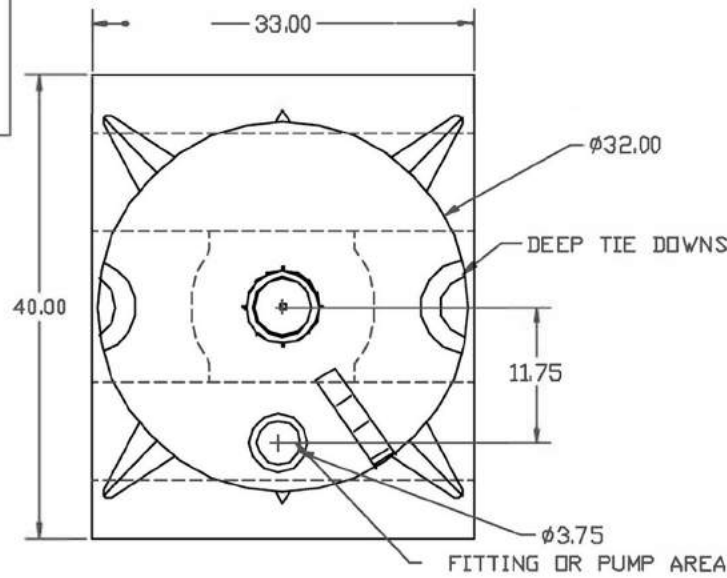


PROPRIETARY DATA

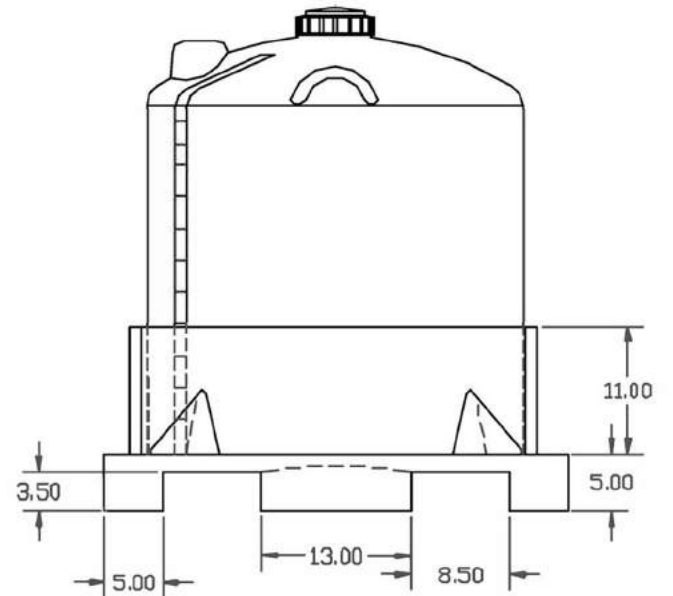
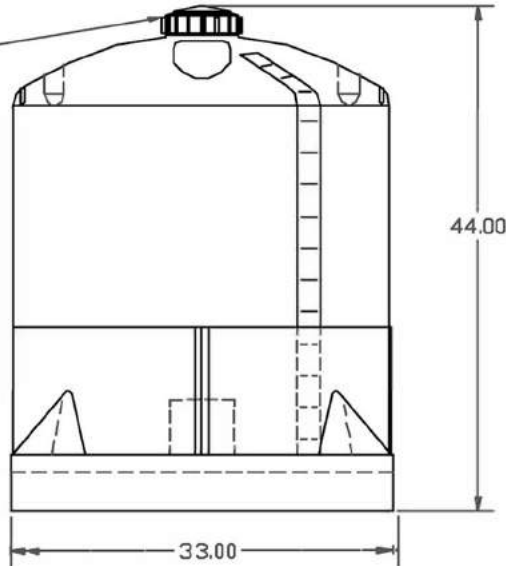
PROPERTY OF ACE ROTO-MOLD MFG, INC. INFORMATION FURNISHED HEREIN IS THE PROPERTY OF ACE ROTO-MOLD MFG, INC. AND SHALL NOT BE USED, DISCLOSED TO OTHERS, OR COPIED WITHOUT THE EXPRESSED WRITTEN CONSENT OF ACE ROTO-MOLD MFG, INC. ALL RIGHTS RESERVED.

A



φ5 INCH VENTED LID

A



				DRAWN / DATE NVE 6/24/15		MATERIAL			
				APPRD. / DATE DHJ 9/21/15		HDPE OR EQUIVALENT REFERENCE MATERIAL DATA SHEET FOR SPECIFIC PROPERTIES.			
A	CLARIFY LID CCN1290	4/9/07	DHJ						
REV	DESCRIPTION	DATE	APPRD.	CLIENT / DESCRIPTION 110 GALLON PALLET & TANK					
ALL DIMENSIONS ARE IN DECIMAL INCHES TOLERANCES UNLESS OTHERWISE SPECIFIED ± 1% @ 68°F				THIRD ANGLE PROJECTION ANSI X1.5M 		NOTES: 1. BLACK AND WHITE COLOR 2. SHIP WEIGHT 68 LBS.		SCALE N.S.	
						PART NO.			

PLA110

(866) 776-8265

PROTANK

sales@protank.com