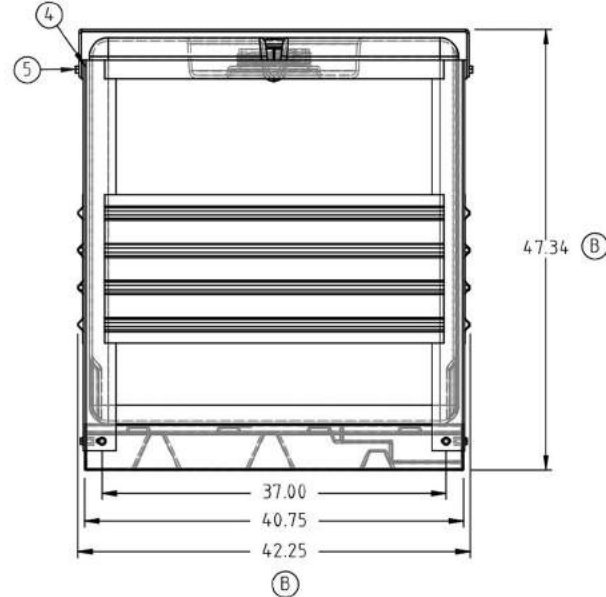
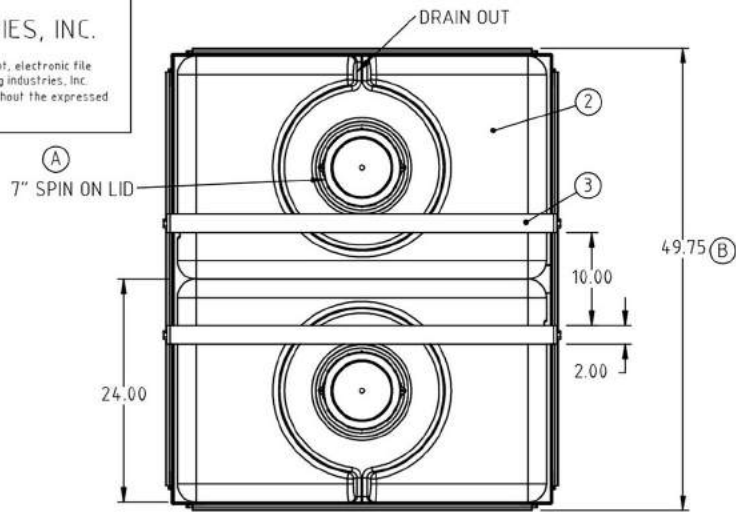
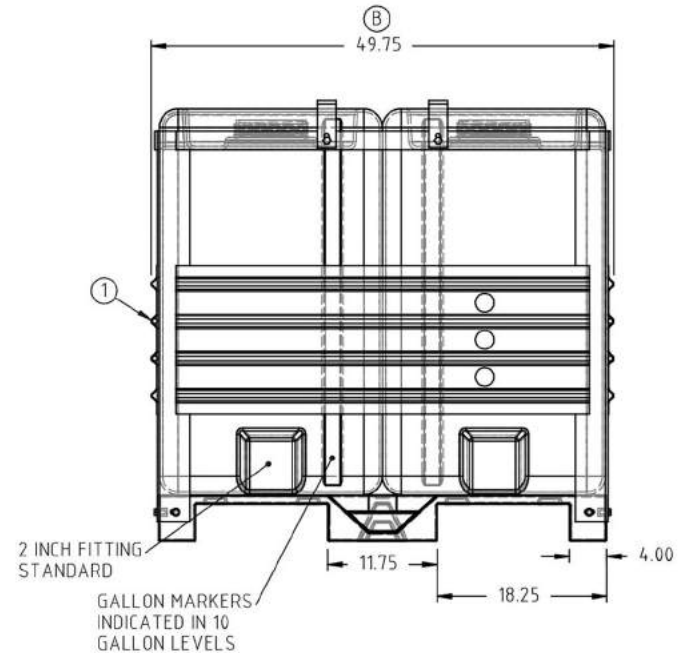


© DEN HARTOG INDUSTRIES, INC.

Copyright. All information furnished within this document, electronic file or design correspondence is the property of Den Hartog industries, Inc. and shall not be used, disclosed to others or copied without the expressed written consent of Den Hartog Industries, Inc.



KEY	PART NUMBER	DESCRIPTION	QTY.
1		SP, PALLET PACK FRAME AND PALLET	1
2		SP, PALLET PACK 150 GALLON	2
3		SP. PALLET PACK TOP BAR	2
4		NUT, 1/2"-13 GR 2 ZINC	4
5		BOLT, 1/2" X 1" HEX GR5 ZINC	4



C	356.00 LBS WAS 270.00 LBS	ADH 1/23/14	2789	DRAWN / DATE	MATERIAL
B	TABLE ADDED, DRAWING TEMPLATE AND DIMENSIONS UPDATED	ADH 2/2/11	2123	NVE 6/24/05	
A	CHANGE TO 7" LID	GWC 6/29/07	1308	APPRD. / DATE	
REV	DESCRIPTION	BY / DATE	CCN	DHJ 9/21/05	
ALL DIMENSIONS ARE IN DECIMAL INCHES TOLERANCES UNLESS OTHERWISE SPECIFIED		THIRD ANGLE PROJECTION ANSI 14.5M		SHOT WEIGHT:	NOTES:
POLYETHYLENE	METAL DECIMAL ± .125" FRACTION ± 1/4" ANGLE ± 1°	SHIPPING WEIGHT: 356.00 LBS		FINISH:	
±1% @ 68°F				DESCRIPTION 150 GALLON PALLET PACK 2 TANKS, PALLET, FRAME	
				SCALE N.S.	PART NO.

PLA150

(866) 776-8265

PROTANK

sales@protank.com