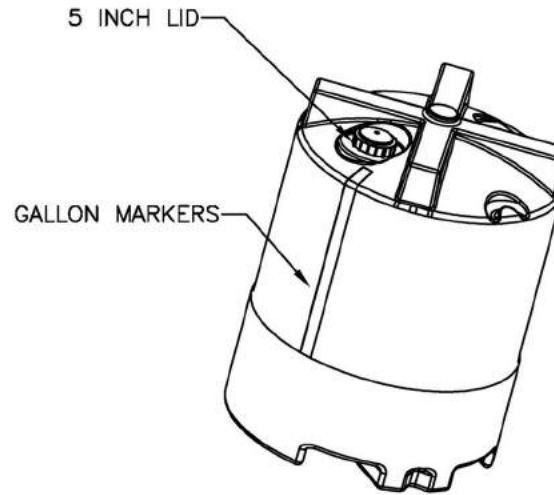
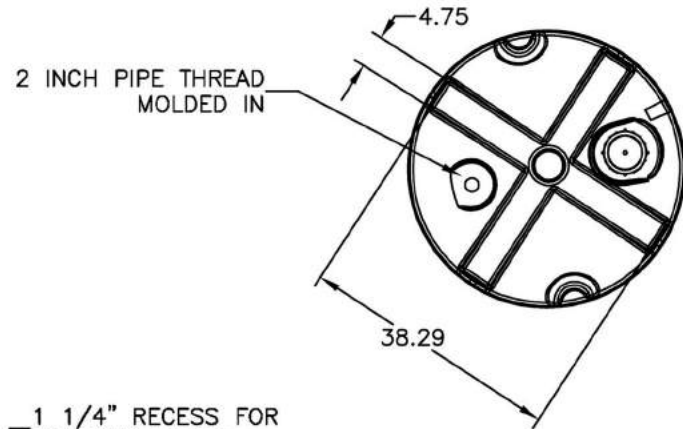
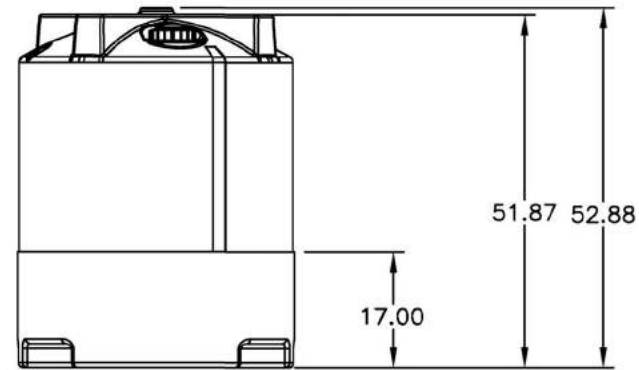
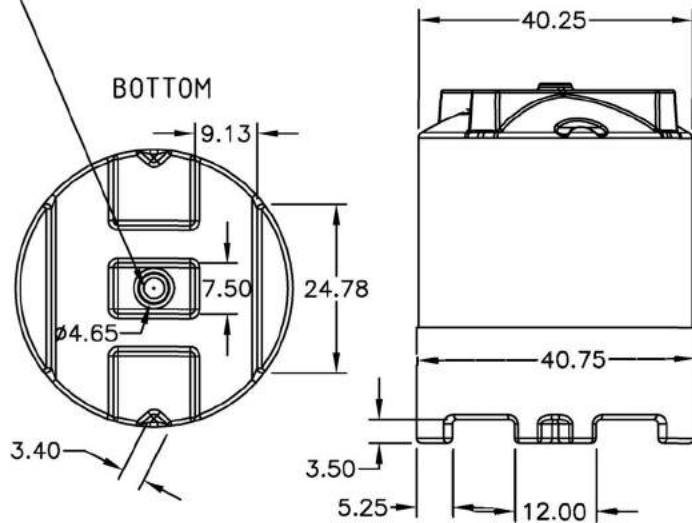


PROPRIETARY DATA

PROPERTY OF ACE ROTO-MOLD MFG., INC. INFORMATION FURNISHED HEREIN IS THE PROPERTY OF ACE ROTO-MOLD MFG., INC. AND SHALL NOT BE USED, DISCLOSED TO OTHERS, OR COPIED WITHOUT THE EXPRESSED WRITTEN CONSENT OF ACE ROTO-MOLD MFG., INC. ALL RIGHTS RESERVED.



1 1/4" RECESS FOR STACKING TANKS



| | | | | | | | |
|---|-------------|------|-------|--------------------------------------|---|--|------------------------|
| | | | | DRAWN / DATE NVE 6/28/05 | MATERIAL HDPE OR EQUIVALENT REFERENCE MATERIAL DATA SHEET FOR SPECIFIC PROPERTIES. | | |
| | | | | APPRD. / DATE DHJ 9/21/05 | | CLIENT / DESCRIPTION 210 GALLON PALLET & TANK | |
| REV | DESCRIPTION | DATE | APPRD | THIRD ANGLE PROJECTION ANSI 14.5M | | NOTES: | |
| ALL DIMENSIONS ARE IN DECIMAL INCHES TOLERANCES UNLESS OTHERWISE SPECIFIED ± 1% @ 68° F | | | | | | 1. WEIGHT 82 LBS. | SCALE N.S. PART NO. |

PLA210

(866) 776-8265

PROTANK

sales@protank.com