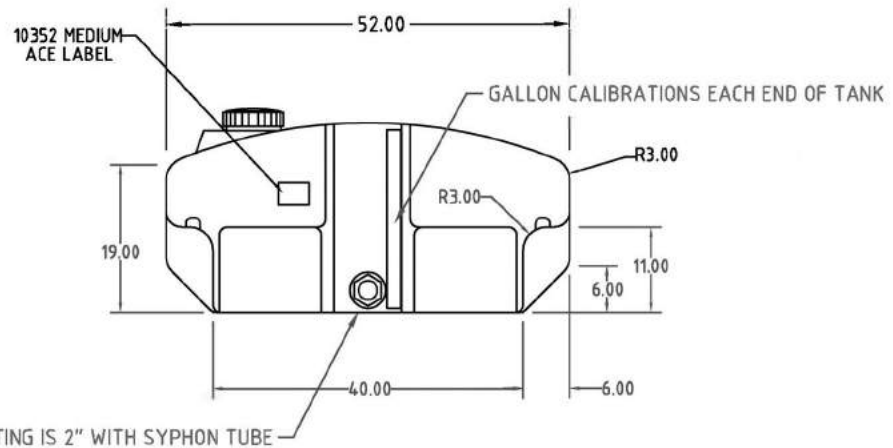
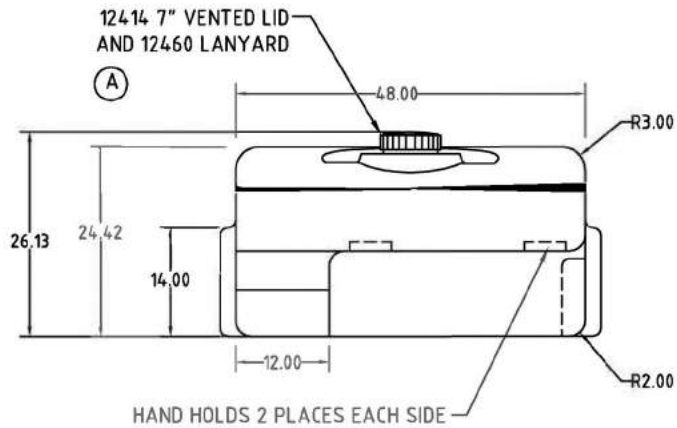
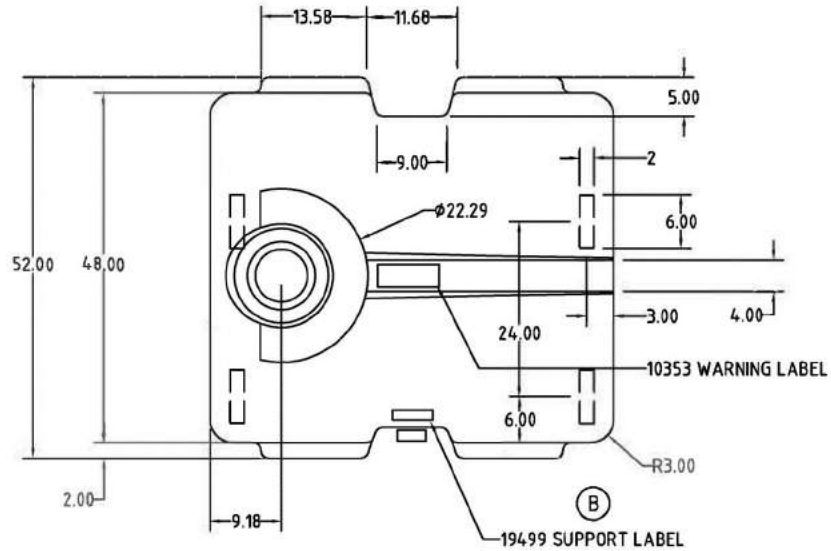


Copyright. All information furnished within this document, electronic file or design correspondence is the property of Den Hartog Industries, Inc. and shall not be used, disclosed to others or copied without the expressed written consent of Den Hartog Industries, Inc.



				DRAWN / DATE DHJ 1/5/07	MATERIAL		
B	ADDED 19499 LABEL	10/11/10	CCN2096	APPRD. / DATE REH 2/6/07	10420 3 MELT		
A	ADDED LANYARD	8/7/06	CCN1363				
REV	DESCRIPTION	BY / DATE	CCN				
ALL DIMENSIONS ARE IN DECIMAL INCHES TOLERANCES UNLESS OTHERWISE SPECIFIED		THIRD ANGLE PROJECTION ANSI 14.5M		SHOT WEIGHT: 85 LB.	NOTES: 1. NOM. WALL = .225.	DESCRIPTION 205 GALLON PICKUP TANK	
POLYETHYLENE		METAL		SHIPPING WEIGHT: 87 LB.		SCALE N.S.	PART NO.
±1% @ 68° F		DECIMAL ± .125" FRACTION ± 1/4" ANGLE ± 1°		FINISH:			