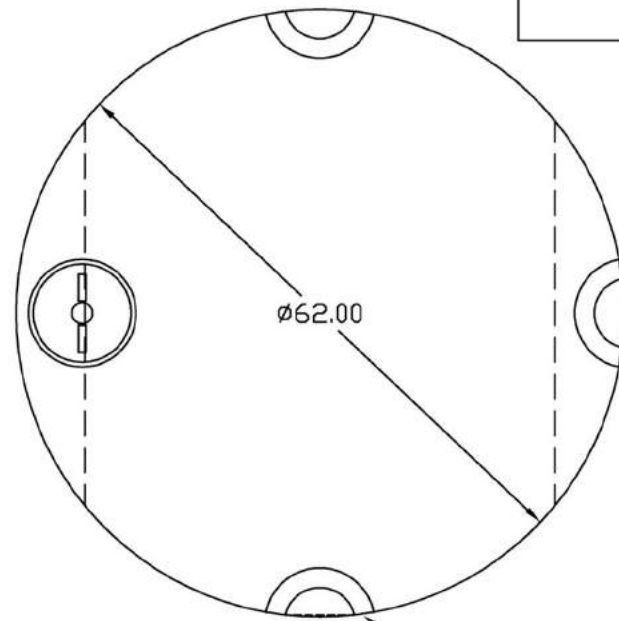


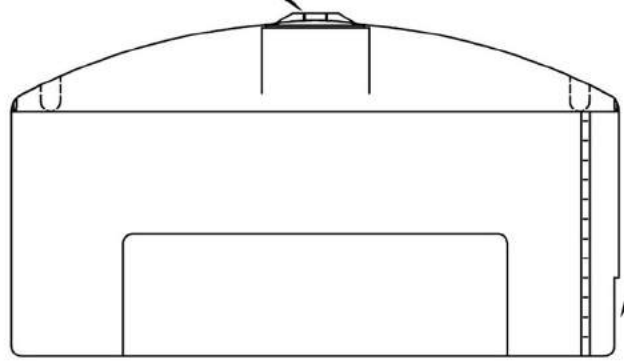
PROPRIETARY DATA

PROPERTY OF ACE ROTO-MOLD MFG., INC. INFORMATION FURNISHED HEREIN IS THE PROPERTY OF ACE ROTO-MOLD MFG., INC. AND SHALL NOT BE USED, DISCLOSED TO OTHERS, OR COPIED WITHOUT THE EXPRESSED WRITTEN CONSENT OF ACE ROTO-MOLD MFG., INC. ALL RIGHTS RESERVED.



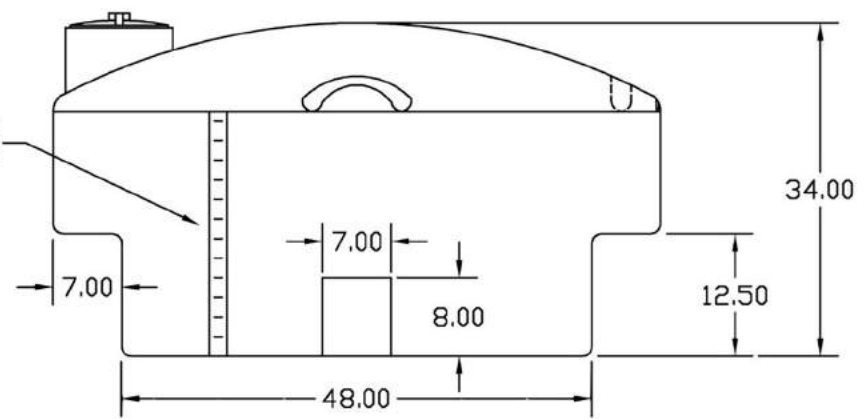
3x TIE DOWNS

8 INCH LID



FLAT FOR FITTING 2 INCH STANDARD

GALLON MARKERS



				DRAWN / DATE DHJ 4/24/03		MATERIAL	
				APPRD. / DATE ADH 11/14/07		HDPE OR EQUIVALENT REFERENCE MATERIAL DATA SHEET FOR SPECIFIC PROPERTIES.	
REV	DESCRIPTION	DATE	APPRD	CLIENT / DESCRIPTION 350 GALLON PICKUP TANK			
ALL DIMENSIONS ARE IN DECIMAL INCHES TOLERANCES UNLESS OTHERWISE SPECIFIED ± 1% @ 68° F				THIRD ANGLE PROJECTION ANSI 14.5M 		NOTES: 1. SHOT WEIGHT 92 LBS. 2. SHOT WEIGHT XXX LBS.	
				SCALE N.S.		PART NO.	