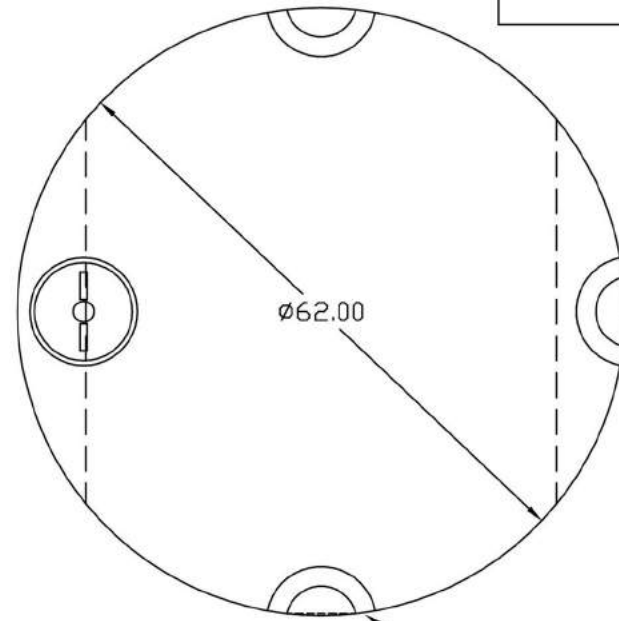


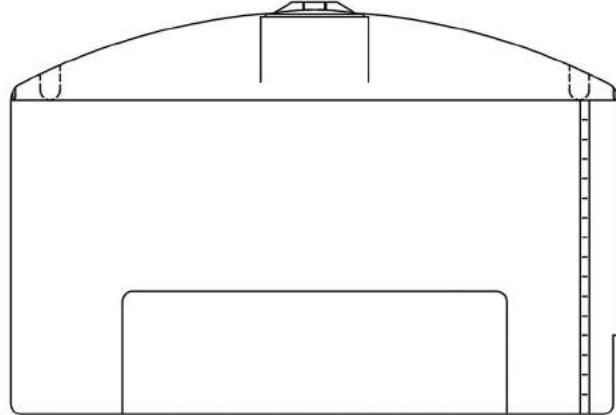
PROPRIETARY DATA

PROPERTY OF ACE ROTO-MOLD MFG., INC. INFORMATION FURNISHED HEREIN IS THE PROPERTY OF ACE ROTO-MOLD MFG., INC. AND SHALL NOT BE USED, DISCLOSED TO OTHERS, OR COPIED WITHOUT THE EXPRESSED WRITTEN CONSENT OF ACE ROTO-MOLD MFG., INC. ALL RIGHTS RESERVED.



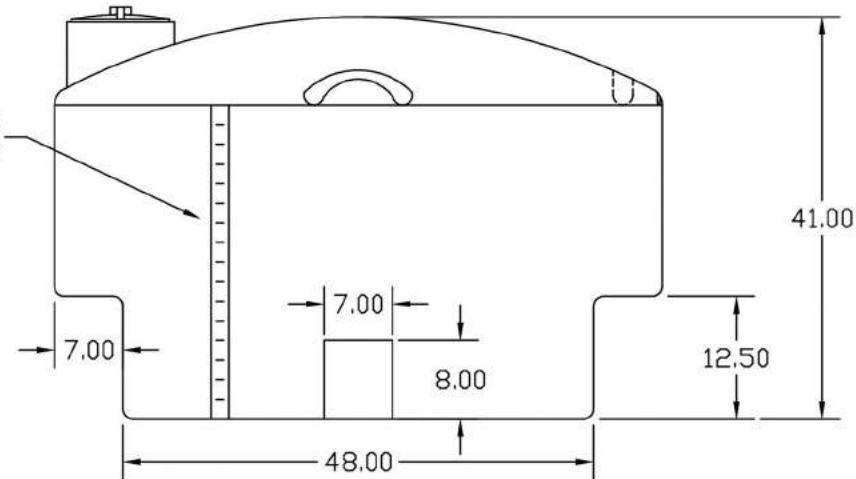
8 INCH LID

3x TIE DOWNS



FLAT FOR FITTING 2 INCH STANDARD

GALLON MARKERS



				DRAWN / DATE DHJ 4/24/03	MATERIAL HDPE OR EQUIVALENT REFERENCE MATERIAL DATA SHEET FOR SPECIFIC PROPERTIES.				
				APPRD. / DATE ADH 11/14/07			CLIENT / DESCRIPTION 450 GALLON PICKUP TANK		
REV	DESCRIPTION	DATE	APPRD	THRD ANGLE PROJECTION ANSI 14.5H 		NOTES: 1. SHOT WEIGHT 102 LBS.		SCALE N.S.	PART NO.
ALL DIMENSIONS ARE IN DECIMAL INCHES TOLERANCES UNLESS OTHERWISE SPECIFIED ± 1% @ 68° F									

PTA450

(866) 776-8265

PROTANK

sales@protank.com