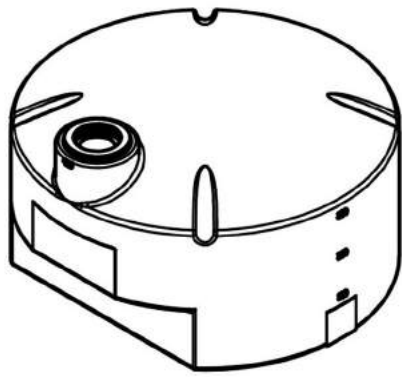
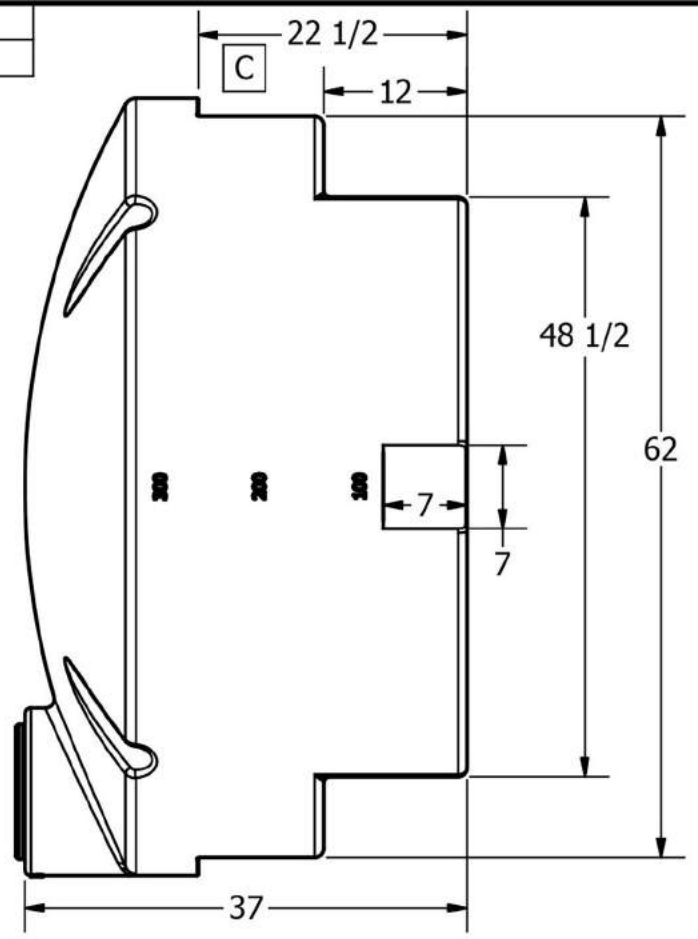
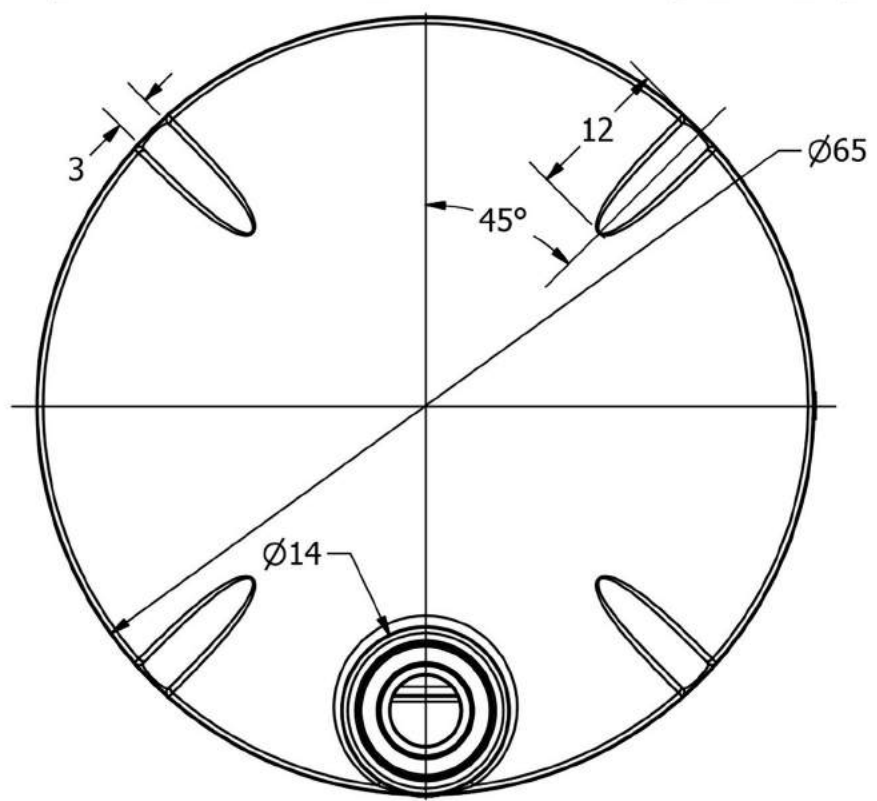


REV	DESCRIPTION	DATE	AUTHOR
C	REDRAWN, WAS 20	08SEP08	Jerry Paulson



DRAWN Jerry Paulson	9/8/2008	TITLE	
CHECKED		425 GALLON PICKUP TANK	
QA		SIZE	REV
MFG		A	C
APPROVED Jerry Paulson		DWG NO	
SCALE: 1/16		SHEET 1 OF 1	

PTN425

(866) 776-8265

PROTANK

sales@protank.com