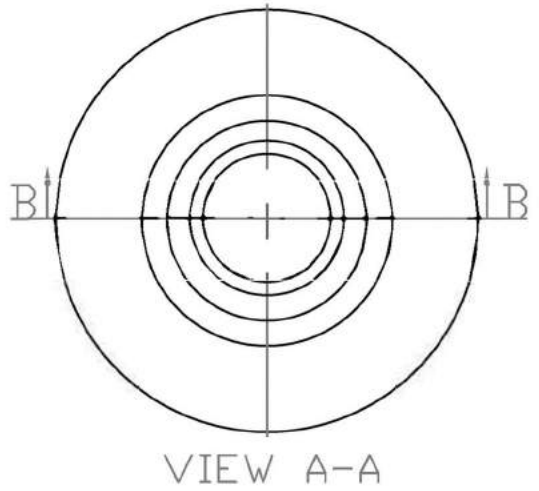
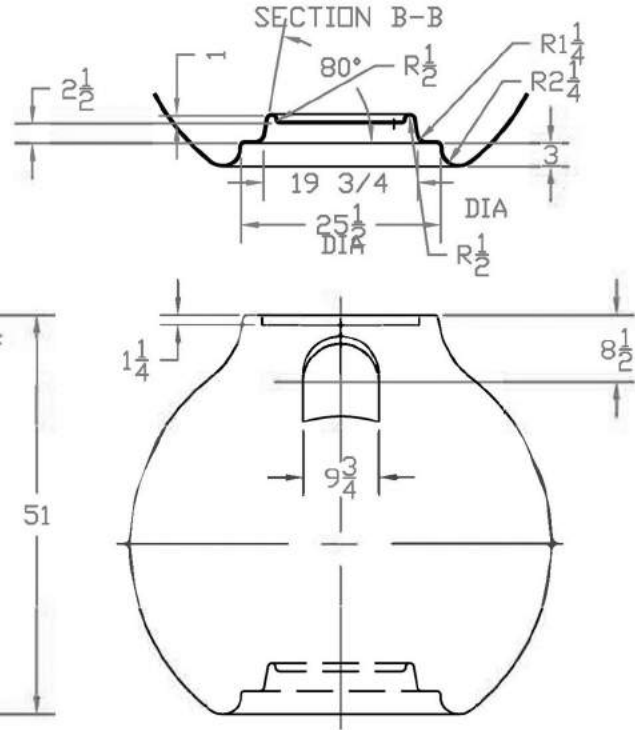
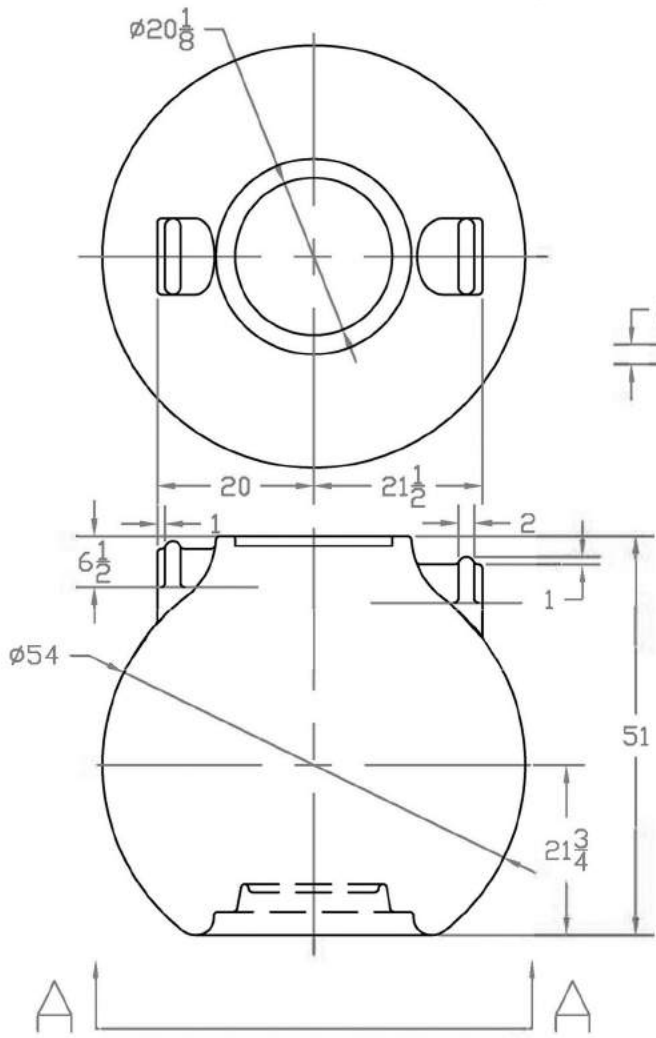


REVISIONS				
ZONE	REV	DESCRIPTION	DATE	APPROVED
	A	REMOVED INLET HUB	24MAY10	



		300 GAL SPHERICAL PUMP TANK W/ FLAT IN/OUT		
JTP	13APR01	SIZE B	FSCM NO.	DWG NO. 41319
		SCALE 1/16		REV A
			SHEET	