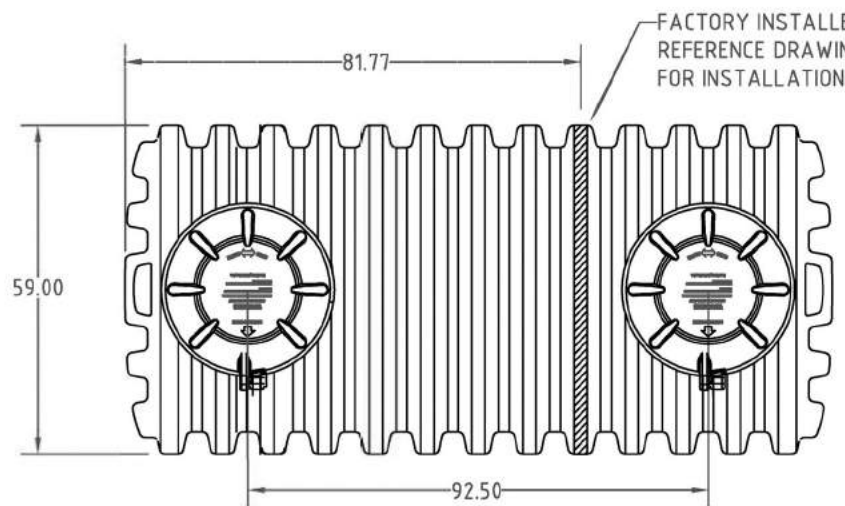


B

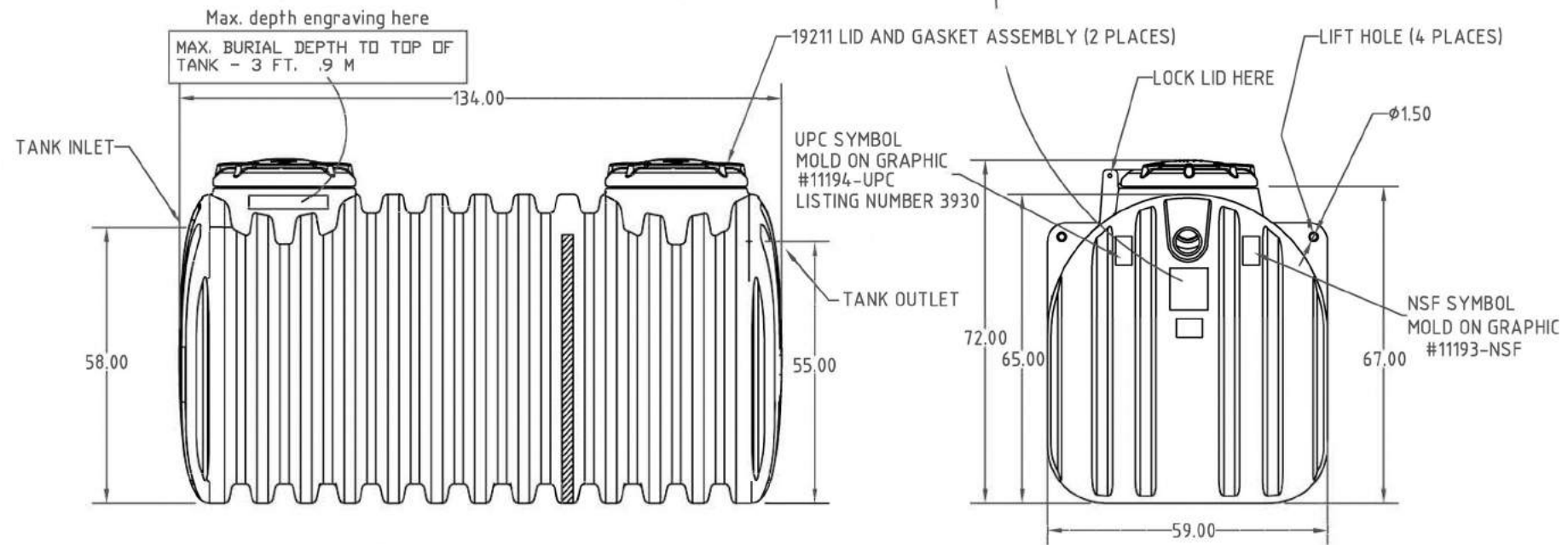


Typical Engraving

Ace Roto Mold
A Division of
Den Hartog Industries, Inc.

TANK CAPACITY _____ 1500 Gallons 5678 Liters
DATE OF MANUFACTURE _____ Month / Year molded
DATE OF ASSEMBLY _____ Month / Year assembled
SERIAL NUMBER _____ Sequential serial number
STATE / LOCATION _____ State assembled for (if applicable)

© DEN HARTOG INDUSTRIES, INC.
Copyright. All information furnished within this document, electronic file or design correspondence is the property of Den Hartog Industries, Inc. and shall not be used, disclosed to others or copied without the expressed written consent of Den Hartog Industries, Inc.



				DRAWN / DATE	MATERIAL	
B	ADDED UPC & NSF GRAPHIC	5/25/07	DHJ	REH / 3/15/04	EXXON HD8660 HDPE OR EQUIVALENT REFERENCE MATERIAL DATA SHEET FOR SPECIFIC PROPERTIES.	
A	ADDED PUBLICATION REF	9/30/05	NVE	APPRD. / DATE		
REV	DESCRIPTION	DATE	APPRD	REH / 3/15/04	CLIENT / DESCRIPTION	
ALL DIMENSIONS ARE IN DECIMAL INCHES TOLERANCES UNLESS OTHERWISE SPECIFIED ± 1% @ 68° F				THIRD ANGLE PROJECTION ANSI 14.5M	1500 GAL. TWO COMPARTMENT SEPTIC TANK	
				NOTES:	SCALE	PART NO.
				1. MIN. WALL @ .250 2. YELLOW COLOR 3. SHOT WEIGHT 500 LBS.	N.S.	