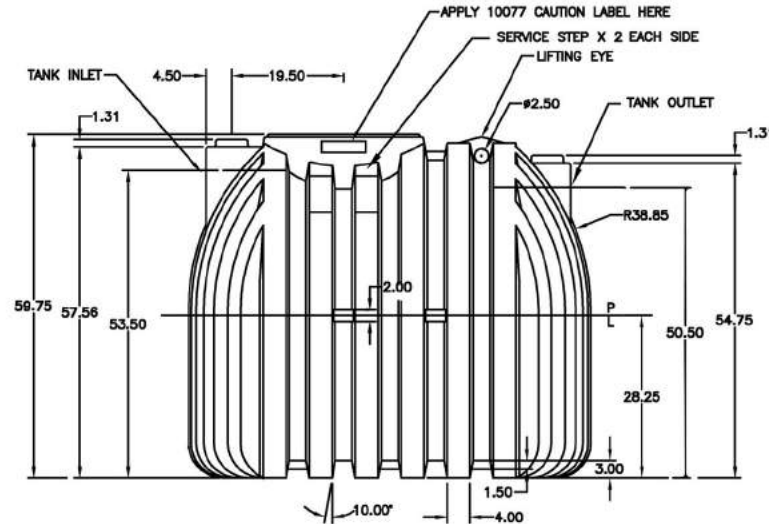
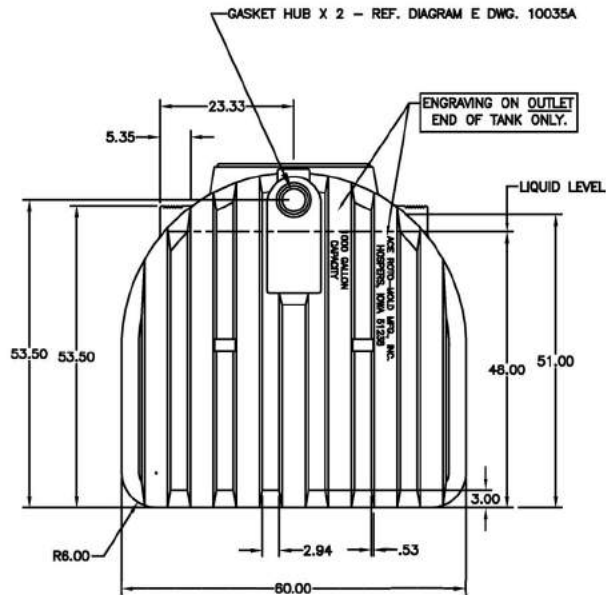
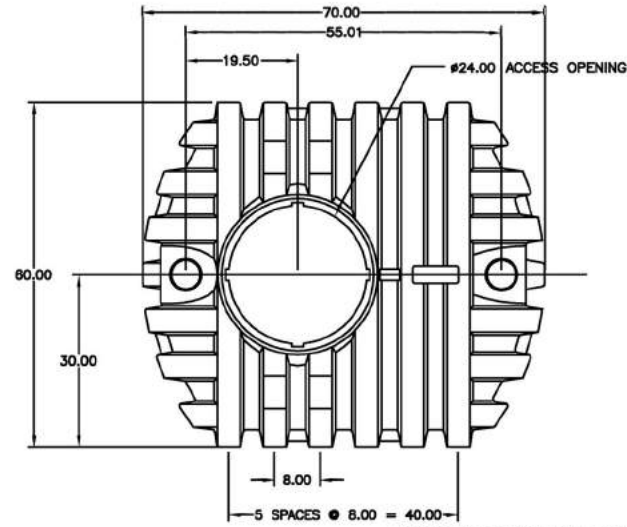


PROPRIETARY DATA

PROPERTY OF ACE ROTO-MOLD MFG., INC. INFORMATION FURNISHED HEREIN IS THE PROPERTY OF ACE ROTO-MOLD MFG., INC. AND SHALL NOT BE USED, DISCLOSED TO OTHERS, OR COPIED WITHOUT THE EXPRESSED WRITTEN CONSENT OF ACE ROTO-MOLD MFG., INC. ALL RIGHTS RESERVED.

REFERENCE PUBLICATION 10039 FOR SEPTIC TANKS OR PUBLICATION 10149 FOR CISTERN TANKS FOR SPECIFIC INSTALLATION GUIDELINES.

B



				DRAWN / DATE REH / 9/24/98	MATERIAL		
B	CHANGED WEIGHT TO 245 LBS.	7/12/06	NVE	APPRD. / DATE REH / 9/24/98	MOBIL 111 HDPE OR EQUIVALENT REFERENCE MATERIAL DATA SHEET FOR SPECIFIC PROPERTIES.	CLIENT / DESCRIPTION 750 GAL. SINGLE COMPARTMENT SEPTIC TANK	
A	ADDED PUBLICATION REF	9/30/05	NVE			SCALE N.S.	PART NO.
REV	DESCRIPTION	DATE	APPRD				
ALL DIMENSIONS ARE IN DECIMAL INCHES TOLERANCES UNLESS OTHERWISE SPECIFIED ± 1% @ 68° F				THIRD ANGLE PROJECTION ANSI 14.5M 	NOTES: 1. NOM. WALL .250 2. YELLOW COLOR 3. TANK SHOT WEIGHT 245 LBS. 4. TANK + LID WEIGHT: 259 LBS.		