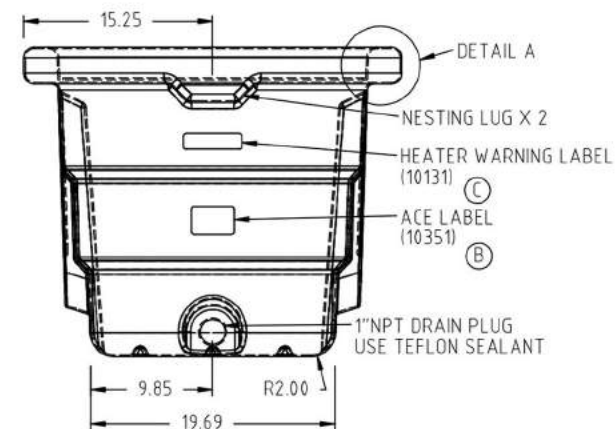
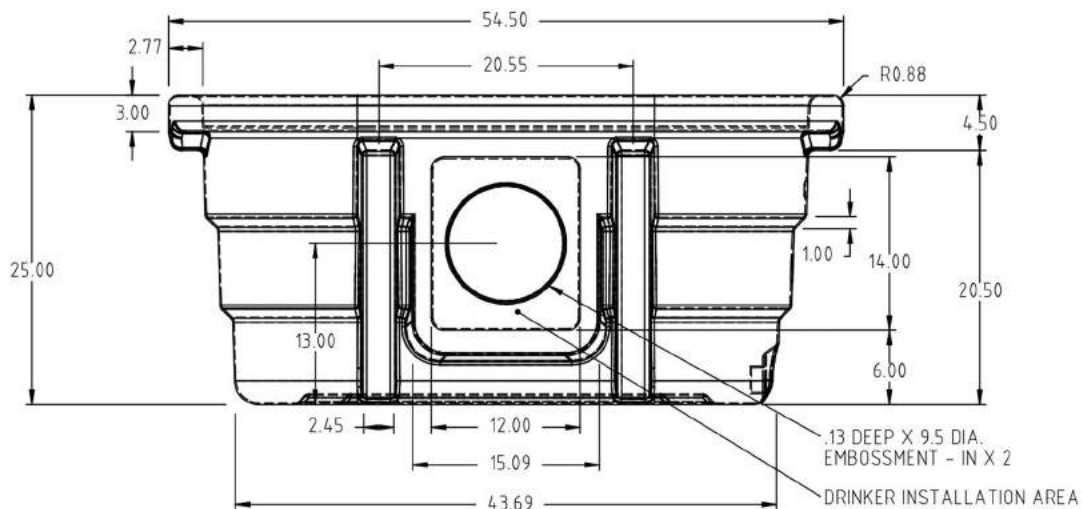
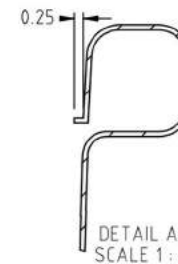
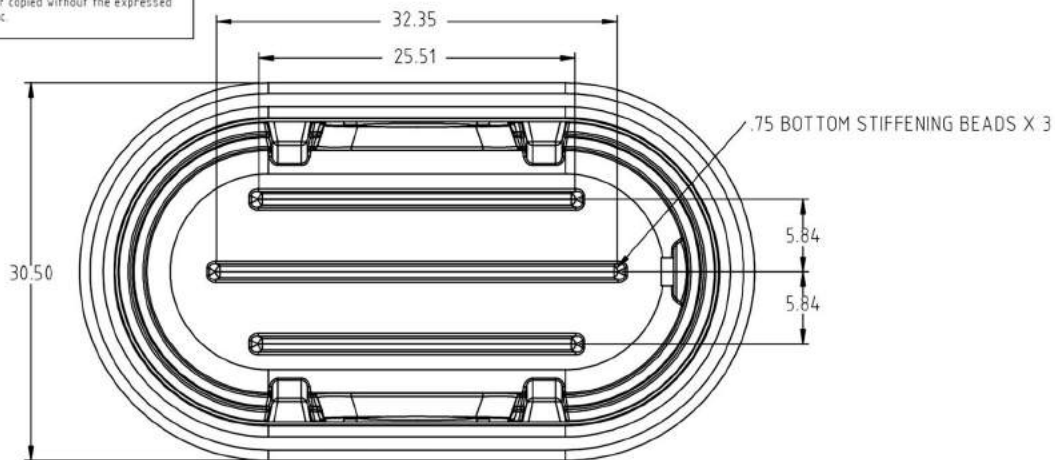


Copyright. All information furnished within this document, electronic file or design correspondence is the property of Den Hartog Industries, Inc. and shall not be used, disclosed to others or copied without the expressed written consent of Den Hartog Industries, Inc.



|  |  |   |      |                               |  |   |          |
|--|--|---|------|-------------------------------|--|---|----------|
| C  | SPRUCE GREEN WAS FOREST GREEN LABEL LOCATION CORRECTED | ADH 12/7/12   | 2539 | DRAWN / DATE                  | MATERIAL<br>1.) POWDER, 5 MELT STD:10577                           | DESCRIPTION<br>ACE / RE-224 POLY STOCK TANK |          |
| B  | LABEL NUMBER ADDED, DRAWING TEMPLATE UPDATED           | ADH 8/28/09   | 1916 | REH/5/22/98                   |  |   |          |
| A  | PRINT UPDATED  | 9/17/98   |      | APPRD. / DATE<br>ADH 8/31/09  |  |   |          |
| REV  | DESCRIPTION  | BY / DATE   | CCN  |                               |  | SCALE<br>N.S.                               | PART NO. |
| ALL DIMENSIONS ARE IN DECIMAL INCHES TOLERANCES UNLESS OTHERWISE SPECIFIED |  | THIRD ANGLE PROJECTION<br>ANSI 14.5M                      |      | SHOT WEIGHT:<br>27.00 LBS     | NOTES<br>1.) NOM. WALL = .150<br>2.) STD. COLOR TO BE SPRUCE GREEN |   |          |
| POLYETHYLENE   |  | METAL<br>DECIMAL ± .125"<br>FRACTION ± 1/4"<br>ANGLE ± 1° |      | SHIPPING WEIGHT:<br>25.00 LBS |  |   |          |
| ±1% @ 68°F   |  |   |      | FINISH:                       |  |   |          |