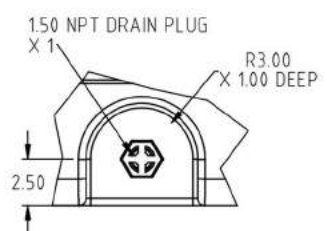
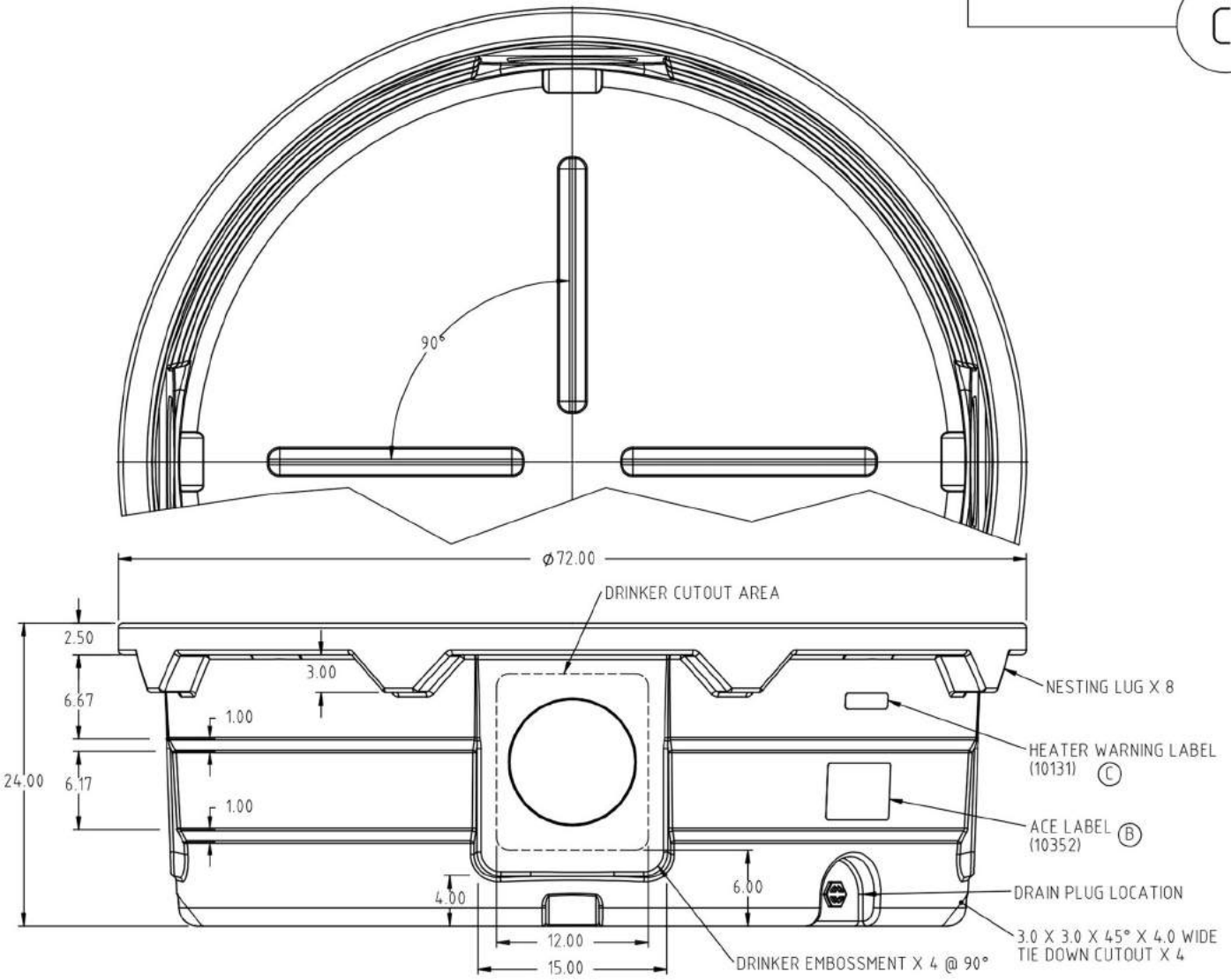


Copyright. All information furnished within this document, electronic file or design correspondence is the property of Den Hartog Industries, Inc. and shall not be used, disclosed to others or copied without the expressed written consent of Den Hartog Industries, Inc.

C



MAX. CAPACITY - LEVEL = 320 U.S. GAL.

C	SPRUCE GREEN WAS FOREST GREEN LABEL LOCATION CORRECTED	ADH 12/7/12	2539	DRAWN / DATE REH 10/2/98	MATERIAL 1.) POWDER, 5 MELT STD:10577	DESCRIPTION ACE / R62 POLY STOCK TANK
B	LABEL NUMBER ADDED, DRAWING TEMPLATE UPDATED	ADH 8/31/09	1916	APPRD. / DATE ADH 8/31/09		
A	CAPACITY CORRECTED	10/03/01				
REV	DESCRIPTION	BY / DATE	CCN			
ALL DIMENSIONS ARE IN DECIMAL INCHES TOLERANCES UNLESS OTHERWISE SPECIFIED		THIRD ANGLE PROJECTION ANSI 14.5M		SHOT WEIGHT: 65.00LBS	NOTES: (C) 1.) NOM. WALL = 0.190 2.) STD. COLOR TO BE SPRUCE GREEN	SCALE N.S.
POLYETHYLENE	METAL DECIMAL ± .125" FRACTION ± 1/4" ANGLE ± 1°	SHIPPING WEIGHT: 62.00LBS		FINISH:		PART NO.
±1% @ 68°F						