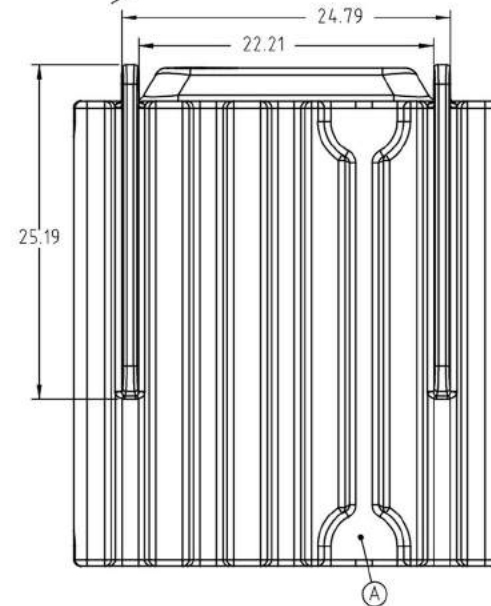
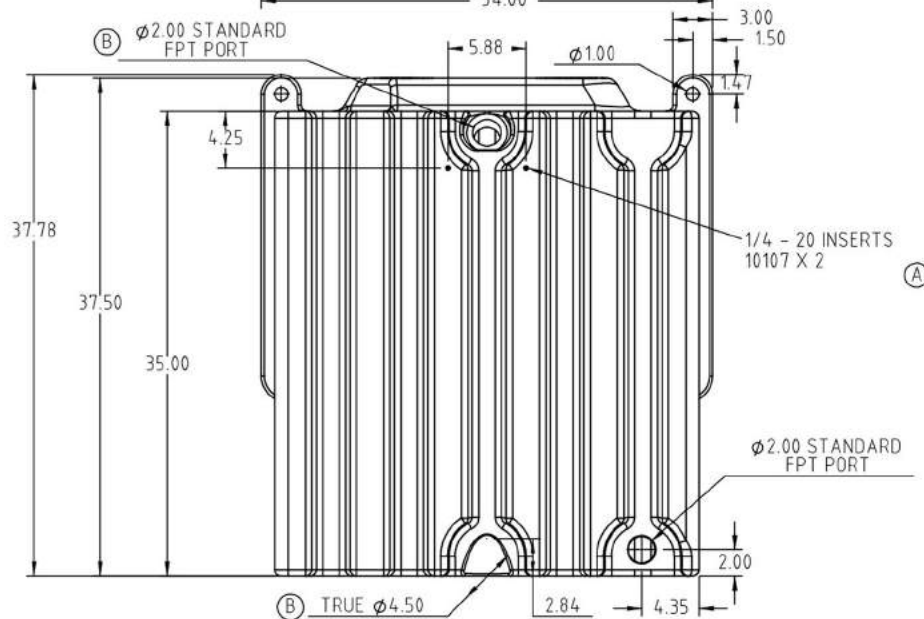
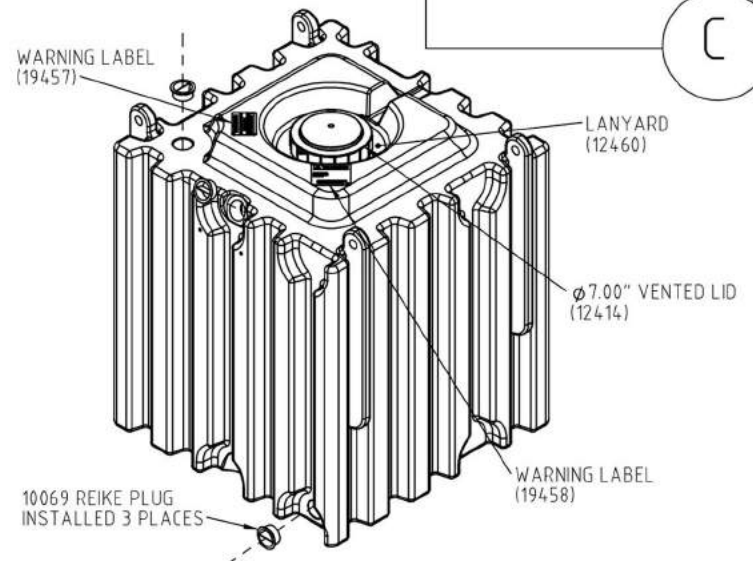
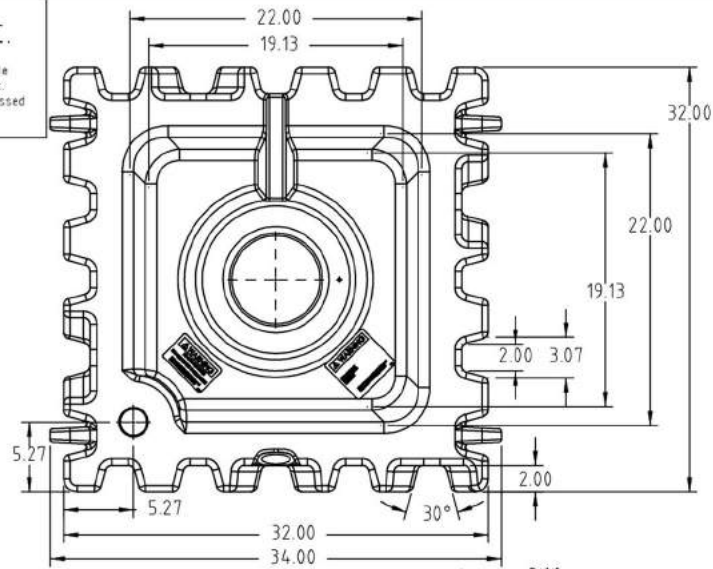


Copyright All information furnished within this document, electronic file or design correspondence is the property of Den Hartog Industries, Inc. and shall not be used, disclosed to others or copied without the expressed written consent of Den Hartog Industries, Inc.



C	10420 WAS 10539	ADH 9/20/10	2086	DRAWN / DATE	MATERIAL C 10420
B	PORT LOCATION/ANGLE CHANGED	ADH 9/14/10	2083	ADH 5/22/08	
A	FITTING FLATS AND INSERTS ADDED DRAWING TEMPLATE UPDATED	ADH 10/22/09	1954	APPRD. / DATE REH 7/7/08	
REV	DESCRIPTION	BY / DATE	CCN		
ALL DIMENSIONS ARE IN DECIMAL INCHES TOLERANCES UNLESS OTHERWISE SPECIFIED		THIRD ANGLE PROJECTION ANSI 14.5M		SHOT WEIGHT: 75 LBS	NOTES: 1.) WALL THICKNESS 0.200
POLYETHYLENE	METAL DECIMAL ± .125" FRACTION ± 1/4" ANGLE ± 1°			SHIPPING WEIGHT: 77 LBS	
±1% @ 68°F				FINISH:	

DESCRIPTION		120 GALLON TOTE	
SCALE	N.S.	PART NO.	