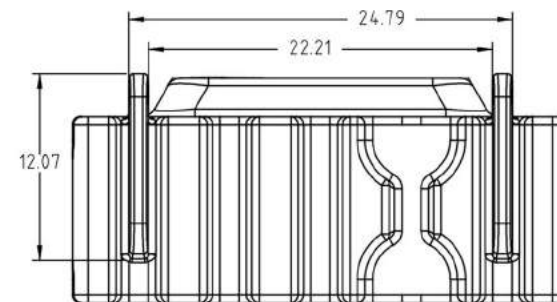
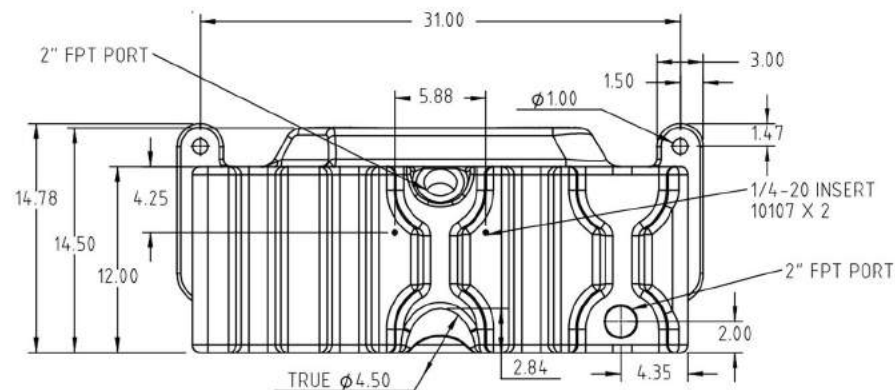
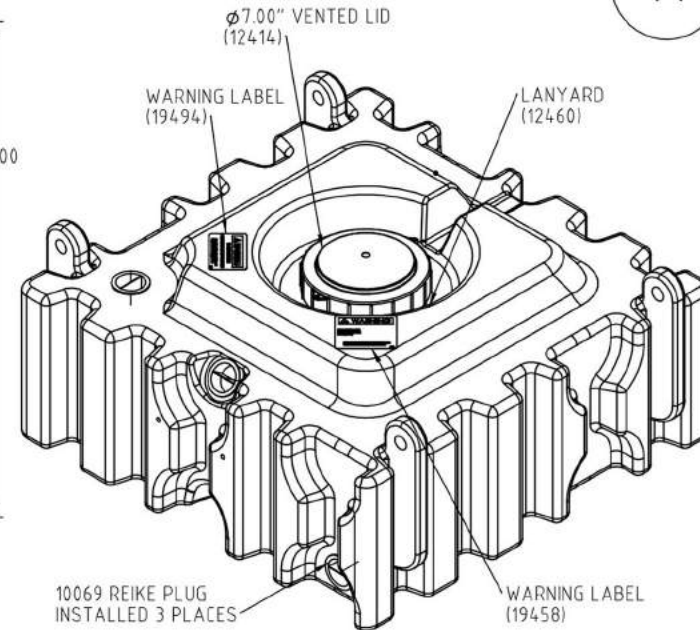
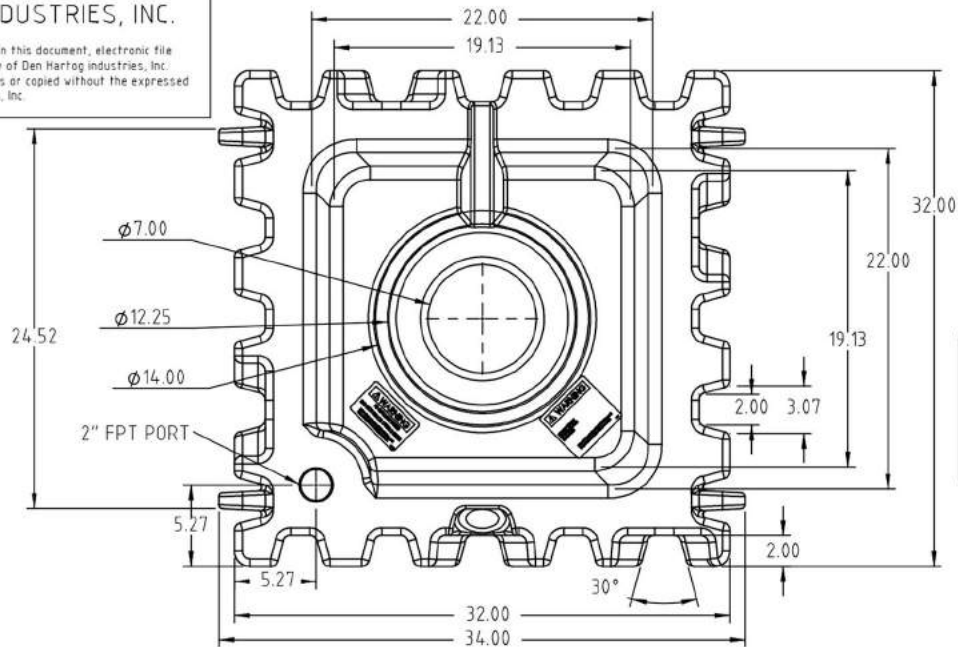


Copyright. All information furnished within this document, electronic file or design correspondence is the property of Den Hartog Industries, Inc. and shall not be used, disclosed to others or copied without the expressed written consent of Den Hartog Industries, Inc.

A



				DRAWN / DATE ADH 3/3/10	MATERIAL A	
A	10420 WAS 10539	ADH 9/20/10	2086	APPRD. / DATE REH 7/23/10	10420	
REV	DESCRIPTION	BY / DATE	CCN			
ALL DIMENSIONS ARE IN DECIMAL INCHES TOLERANCES UNLESS OTHERWISE SPECIFIED		THIRD ANGLE PROJECTION ANSI 14.5M		SHOT WEIGHT: 28 lb.	NOTES: 1.) NOM. WALL THICKNESS = 0.180	DESCRIPTION 35 GALLON TOTE
POLYETHYLENE		METAL DECIMAL ± .125" FRACTION ± 1/4" ANGLE ± 1°		SHIPPING WEIGHT: 30 lb.		SCALE N.S.
±1% @ 68°F				FINISH:		PART NO.