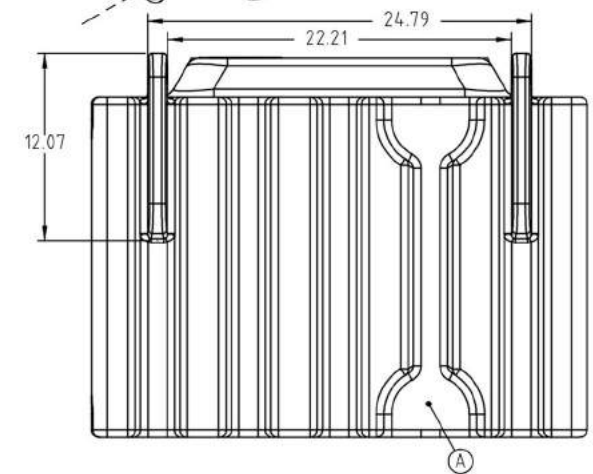
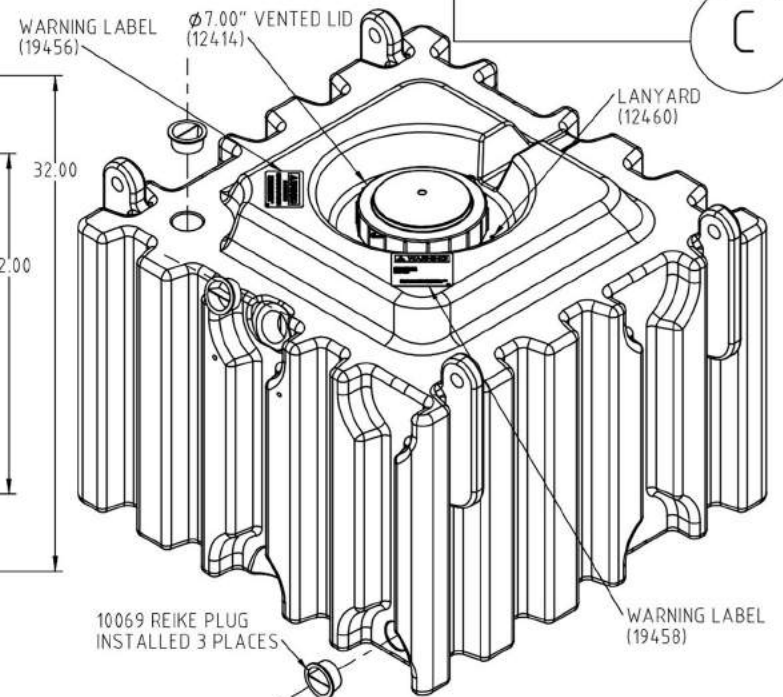
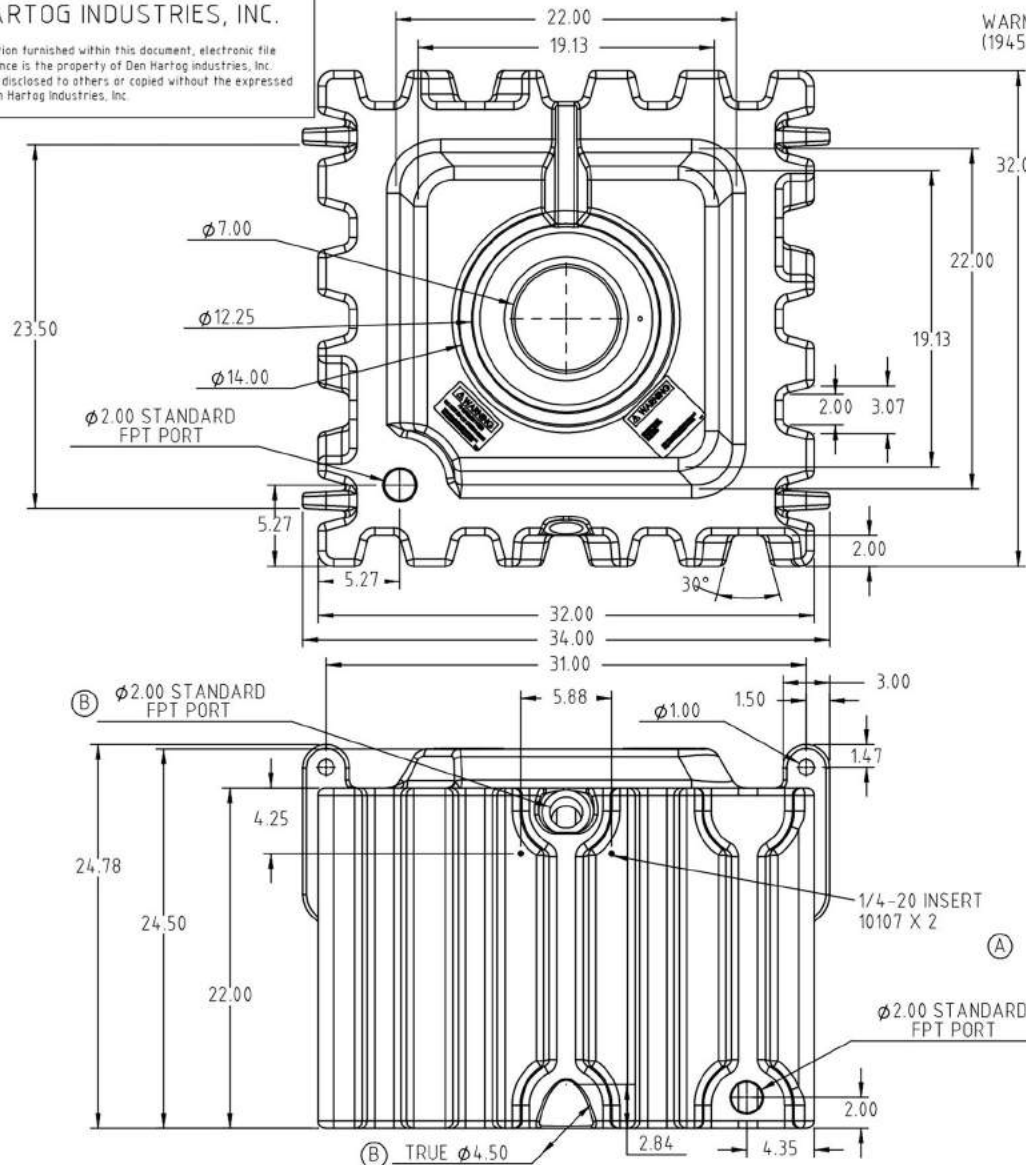


© DEN HARTOG INDUSTRIES, INC.

Copyright All information furnished within this document, electronic file or design correspondence is the property of Den Hartog Industries, Inc. and shall not be used, disclosed to others or copied without the expressed written consent of Den Hartog Industries, Inc.



| | | | | | | | |
|---|---|--------------------------------------|------|-----------------------------|--|---------------|-------------------------------|
| C | 10420 WAS 10539 | ADH 9/20/10 | 2086 | DRAWN / DATE | MATERIAL | 10420 | DESCRIPTION 70 GALLON TOTE |
| B | PORT LOCATION/ANGLE CHANGED | ADH 9/13/10 | 2083 | ADH 5/22/08 | Ⓢ | | |
| A | FITTING FLATS AND INSERTS ADDED DRAWING TEMPLATE UPDATED | ADH 10/22/09 | 1954 | APPRD. / DATE REH 7/7/08 | | | |
| REV | DESCRIPTION | BY / DATE | CCN | | | | |
| ALL DIMENSIONS ARE IN DECIMAL INCHES TOLERANCES UNLESS OTHERWISE SPECIFIED | | THIRD ANGLE PROJECTION ANSI 14.5M | | SHOT WEIGHT: 40 lb. | NOTES: 1.) NOM. WALL THICKNESS = 0.180 | SCALE N.S. | |
| POLYETHYLENE | METAL DECIMAL ± .125" FRACTION ± 1/4" ANGLE ± 1° | | | SHIPPING WEIGHT: 42 lb. | | PART NO. | |
| ±1% @ 68°F | | | | FINISH: | | | |

STA70

(866) 776-8265

PROTANK

sales@protank.com