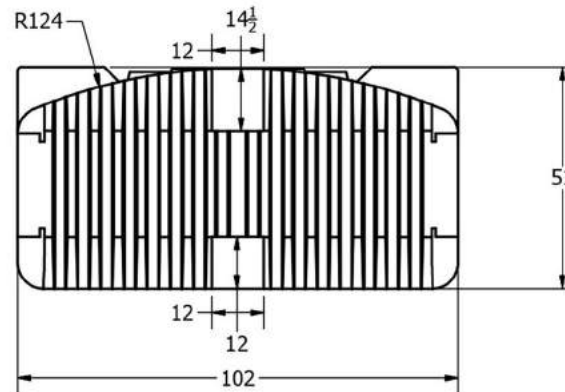
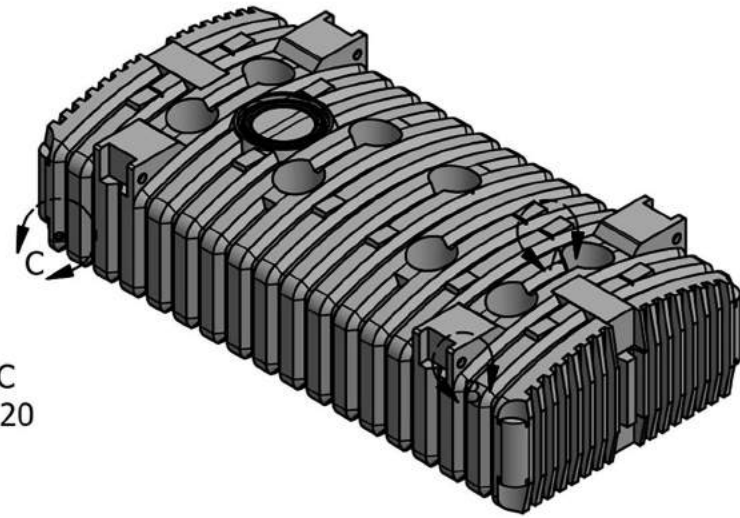


DETAIL B  
SCALE 1 / 20



DETAIL C  
SCALE 1 / 20



DETAIL A  
SCALE 1 / 20

DRAWN Todd Bolzer	7/14/2014	TITLE 3525 UNDERGROUND HOLDING TANK		
CHECKED				
QA				
MFG				
APPROVED		SIZE B	DWG NO	REV
		SCALE: 1/16	SHEET 1 OF 1	