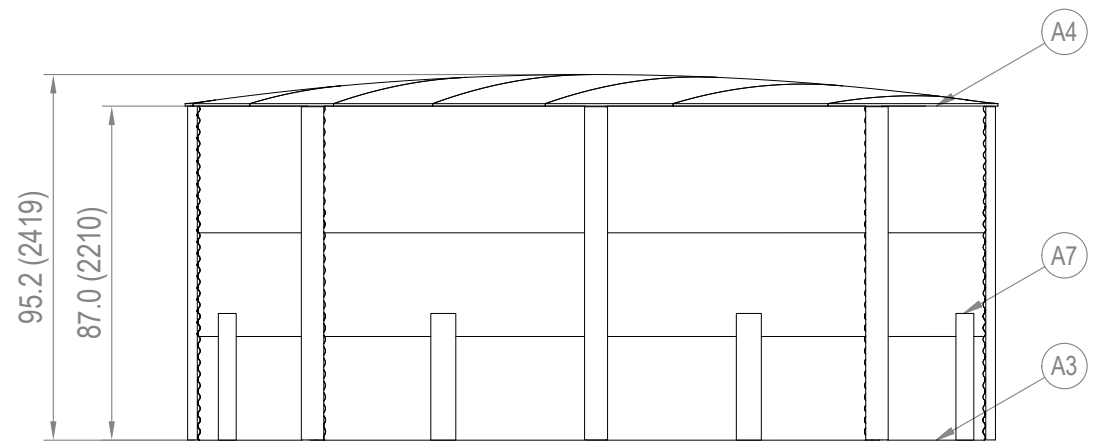
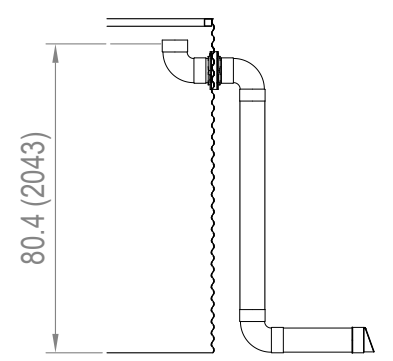


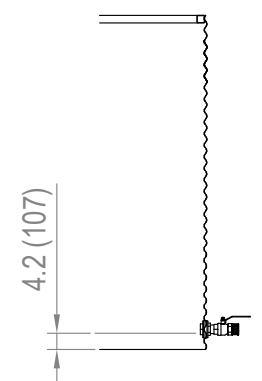
TANK PLAN
SCALE: 1:50



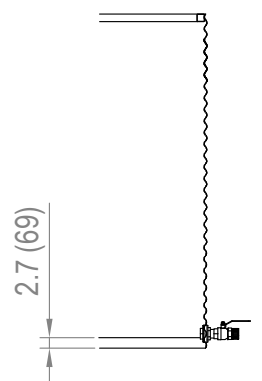
TANK ELEVATION
SCALE: 1:50



OVERFLOW
SCALE: 1:50



OUTLET
SCALE: 1:50



DRAIN
SCALE: 1:50

MANUFACTURER	AQUAMATE
MODEL	UR3D205-MS
GROSS CAPACITY	12,400 GALLONS
NET CAPACITY	10,860 GALLONS
SHELL COLOR / FINISH	NO COLOR / GALVANIZED FINISH
SHELL MOISTURE BARRIER	20mil UNSUPPORTED PE
LINER	ENVIROLINER 20mil
ROOF SHEETING	CORRUGATED 2.67" PITCH 7/8" DEPTH

ID	ACCESSORIES
A1	30" HINGED ROOF ACCESS HATCH
A2	LIGHT DUTY LADDER - 3 RING TANK
A3	205" GEOMAT
A4	DUST AND VERMIN PROTECTION
A5	6" PVC OVERFLOW PIPEWORK
A6	MECHANICAL LEVEL GAUGE
A7	SEISMIC REINFORCING KIT

NOTES

GENERAL

- DRAWINGS TO BE READ IN CONJUNCTION WITH DESIGN SPECIFICATION
- EFFECTIVE VOLUME CALCULATION BASED ON STORAGE LOSS BELOW INVERT OF THE LOWEST OUTLET AND FROM 1" BELOW THE INVERT / LIP OF THE LOWEST OVERFLOW

PRODUCTION

- ALL PIPEWORK & VALVES, UNLESS SPECIFIED, BY OTHERS

INSTALLATION

- ENSURE FIRM FLAT AND LEVEL SITE IS PROVIDED, AS PER SITE PREPARATION SPECIFICATION, PRIOR TO COMMENCING CONSTRUCTION
- ORIENTATION OF ALL FITTINGS TO BE CONFIRMED PRIOR TO INSTALLATION
- INSTALLATION TOLERANCES APPLY ON TOP OF STANDARD PRODUCTION TOLERANCES

	INCHES	US GAL
	87.0	12,400
	85.5	12,200
	82.5	11,800
	79.5	11,300
	76.5	10,900
	73.5	10,500
	70.5	10,000
	67.5	9,600
	64.5	9,200
	61.5	8,800
	58.5	8,300
	55.5	7,900
	52.5	7,500
	49.5	7,100
	46.5	6,600
	43.5	6,200
	40.5	5,800
	37.5	5,300
	34.5	4,900
	31.5	4,500
	28.5	4,100
	25.5	3,600
	22.5	3,200
	19.5	2,800
	16.5	2,400
	13.5	1,900
	10.5	1,500
	7.5	1,100
	4.5	600
	1.5	200
	Ø205" TANK	
	DEPTH CHART	

ID	DESCRIPTION	SIZE	TYPE	LVL.	MATERIAL	VALVE TYPE	INTERNAL
N1	OVERFLOW	6"	SDR 35	73.5	ASA	-	VERTICAL ORIFICE
N2	INLET	20"	BASKET	87.0	PP / PE	-	UV GUARD
N3	OUTLET	2"	Sch 40	5.25	GFN	Ni COATED BALL	HORIZONTAL ORIFICE
N4	DRAIN	2"	Sch 40	3.75	GFN	Ni COATED BALL	HORIZONTAL ORIFICE

AQUAMATE
aquamatetanks.com
4906 Dillehay Drive
Ste 200, Allen TX 75002
844.320.8265
info@aquamatetanks.com

INIT.	DATE	DESCRIPTION					
DRAWN BY	BAF	02/14/17	12,000 GALLON TANK - SEISMIC CONFIGURATION				
CHECKED			AQUAMATE TANKS				
APPROVED			GENERAL ARRANGMENT				
ISSUED							
INCHES (MILLIMETRES)	SCALE	SHEET	Weight	PROJ. No.	DWG No.	REV.	SHEET SIZE
	REFER SHEET	1 of 1		D035	U-05.2-1000-00004		B ANSI

REV.	DESCRIPTION	DATE	DRAWN	APPROVED
A	FIRST ISSUE	14 FEB 17	BAF	---
REVISIONS				
1				
2				
3				