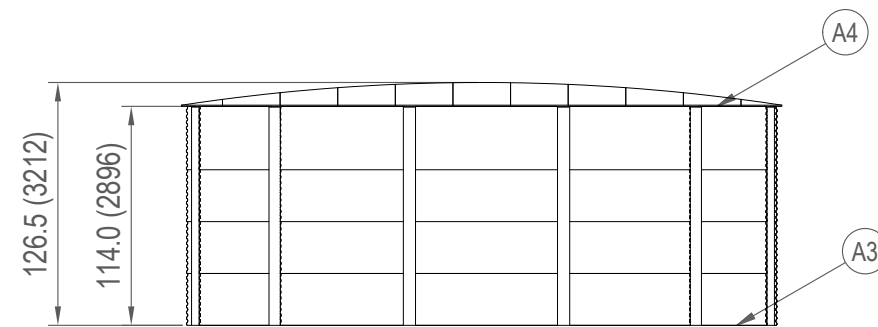
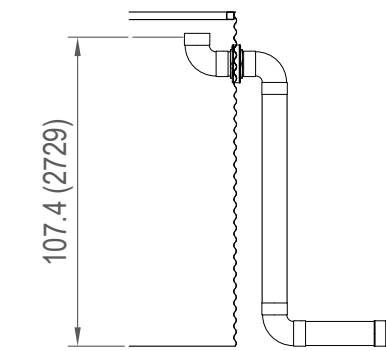


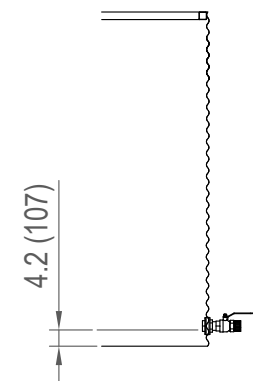
TANK PLAN
SCALE: 1:100



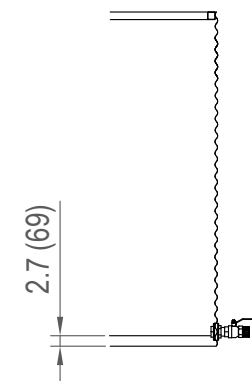
TANK ELEVATION
SCALE: 1:100



OVERFLOW
SCALE: NTS



OUTLET
SCALE: NTS



DRAIN
SCALE: NTS

MANUFACTURER	AQUAMATE
MODEL	UR4D307
GROSS CAPACITY	36,600 GALLONS
NET CAPACITY	33,100 GALLONS
SHELL COLOR / FINISH	NO COLOR / GALVANIZED FINISH
SHELL MOISTURE BARRIER	20mil UNSUPPORTED PE
LINER	ENVIROLINER 20mil
ROOF SHEETING	CORRUGATED 2.67" PITCH 7/8" DEPTH

ID	ACCESSORIES
A1	30" HINGED ROOF ACCESS HATCH
A2	LIGHT DUTY LADDER - 3 RING TANK
A3	307" GEOMAT
A4	DUST AND VERMIN PROTECTION
A5	6" PVC OVERFLOW PIPEWORK
A6	MECHANICAL LEVEL GAUGE

NOTES

GENERAL

- DRAWINGS TO BE READ IN CONJUNCTION WITH DESIGN SPECIFICATION
- EFFECTIVE VOLUME CALCULATION BASED ON STORAGE LOSS BELOW INVERT OF THE LOWEST OUTLET AND FROM 1" BELOW THE INVERT / LIP OF THE LOWEST OVERFLOW

PRODUCTION

- ALL PIPEWORK & VALVES, UNLESS SPECIFIED, BY OTHERS

INSTALLATION

- ENSURE FIRM FLAT AND LEVEL SITE IS PROVIDED, AS PER SITE PREPARATION SPECIFICATION, PRIOR TO COMMENCING CONSTRUCTION
- ORIENTATION OF ALL FITTINGS TO BE CONFIRMED PRIOR TO INSTALLATION
- INSTALLATION TOLERANCES APPLY ON TOP OF STANDARD PRODUCTION TOLERANCES

114.0	36,600
112.5	36,100
109.5	35,100
106.5	34,100
103.5	33,200
100.5	32,200
97.5	31,300
94.5	30,300
91.5	29,300
88.5	28,400
85.5	27,400
82.5	26,500
79.5	25,500
76.5	24,500
73.5	23,600
70.5	22,600
67.5	21,600
64.5	20,700
61.5	19,700
58.5	18,800
55.5	17,800
52.5	16,800
49.5	15,900
46.5	14,900
43.5	13,900
40.5	13,000
37.5	12,000
34.5	11,100
31.5	10,100
28.5	9,100
25.5	8,200
22.5	7,200
19.5	6,300
16.5	5,300
13.5	4,300
10.5	3,400
7.5	2,400
4.5	1,400
1.5	500
INCHES	US GAL
Ø307" TANK	
DEPTH CHART	

ID	DESCRIPTION	SIZE	TYPE	LVL.	MATERIAL	VALVE TYPE	INTERNAL
N1	OVERFLOW	6"	SDR 35	82.5.5	ASA	-	HORIZONTAL ORIFICE
N2	INLET	20"	BASKET	114.0	PP / PE	-	UV GUARD
N3	OUTLET	2"	Sch 40	5.25	GFN	Ni COATED BALL	HORIZONTAL ORIFICE
N4	DRAIN	2"	Sch 40	3.75	GFN	Ni COATED BALL	HORIZONTAL ORIFICE

AQUAMATE
aquamatetanks.com
4906 Dillehay Drive
Ste 200, Allen TX 75002
844.320.8265
info@aquamatetanks.com

INIT.	DATE	DESCRIPTION
DRAWN BY		
CHECKED		
APPROVED		
ISSUED		

37,000 GALLON TANK GENERAL ARRANGMENT
AQUAMATE TANKS
PRODUCTION PART

-1	FIRST ISSUE	18 NOV 16	BAF	---
REV.	DESCRIPTION	DATE	DRAWN	APPROVED
REVISIONS				

INCHES (MILLIMETRES)	SCALE REFER SHEET	SHEET 1 of 1	Weight	PROJ. No. D030	DWG. No. U-07.8-1000-00002	REV.	SHEET SIZE B ANSI
----------------------	-------------------	--------------	--------	----------------	----------------------------	------	-------------------