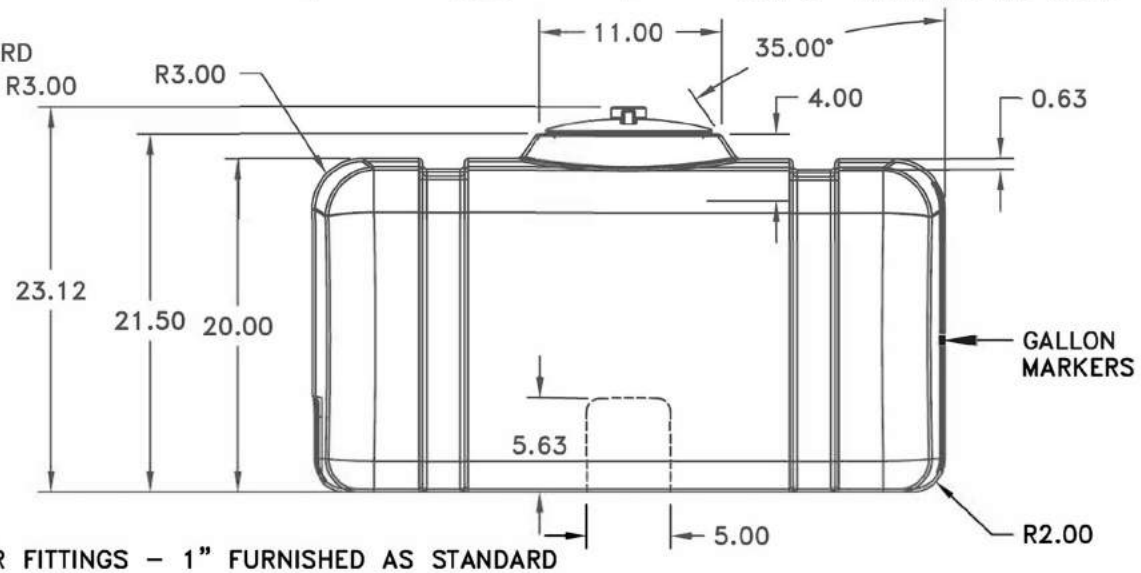
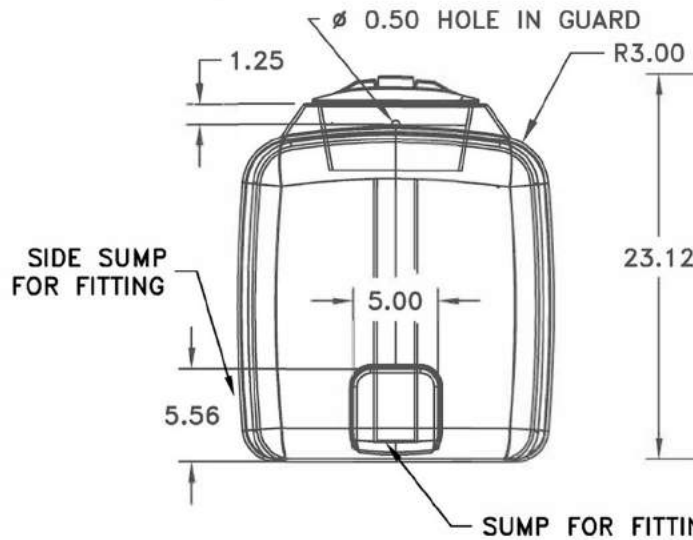
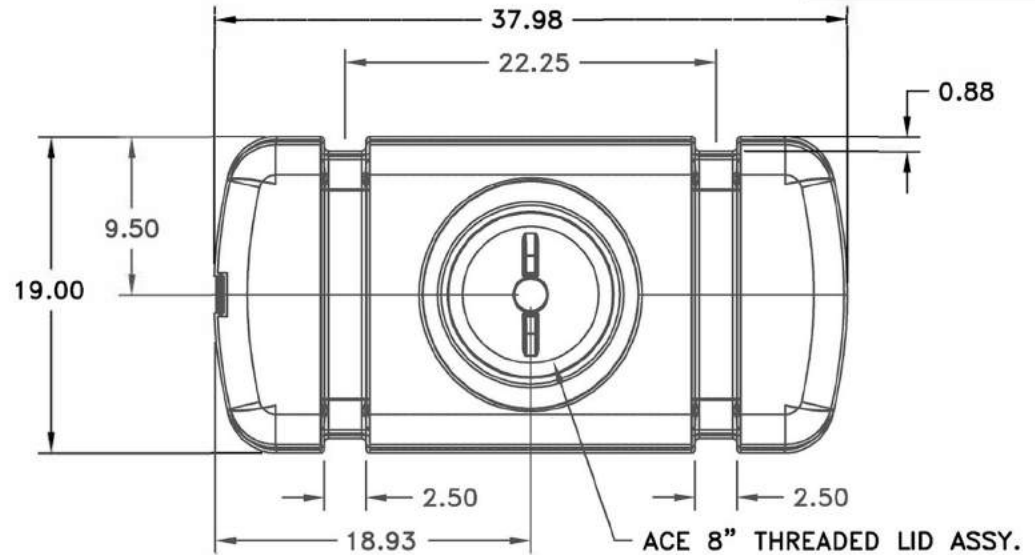
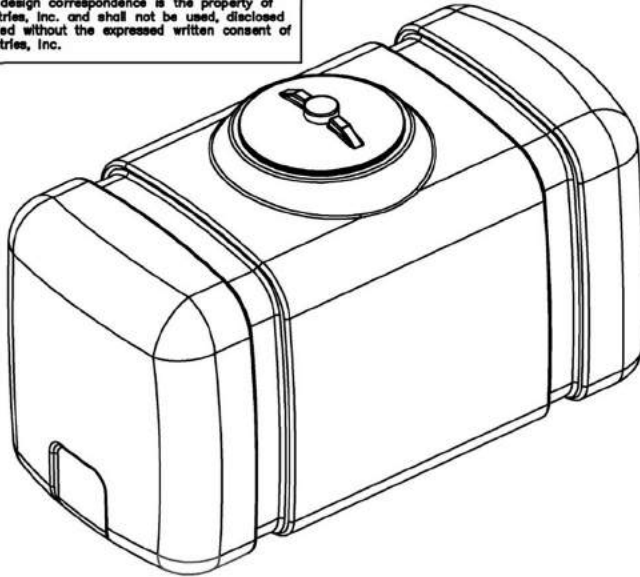


© DEN HARTOG INDUSTRIES, INC.

Copyright. All information furnished within this document, electronic file or design correspondence is the property of Den Hartog Industries, Inc. and shall not be used, disclosed to others or copied without the expressed written consent of Den Hartog Industries, Inc.

C



SUMP FOR FITTINGS - 1" FURNISHED AS STANDARD

C	ADDRESS AND TOLERANCE UPDATED	ADH 5/4/09	DRAWN / DATE	MATERIAL	4010 HOSPERS DRIVE S., BOX 425, HOSPERS, IOWA 51238 ©
B	SIDE FLAT WAS ADDED	7/24/01	REH / 10/4/00		
A	FTG WAS ADDED. PORT REMOVED	7/24/01	APPRD. / DATE	25 LB. MOBIL 134	CLIENT / DESCRIPTION
REV	DESCRIPTION	DATE	REH / 10/4/00		
ALL DIMENSIONS ARE IN DECIMAL INCHES TOLERANCES UNLESS OTHERWISE SPECIFIED ± 1% @ 68° F ©				THIRD ANGLE PROJECTION ANSI 14.5M	NOTES: 1. NATURAL COLOR 2. NOM. WALL .190
				SCALE	N.S.
				PART NO.	50 GAL. TANK

UTA50

(866) 776-8265

PROTANK

sales@protank.com