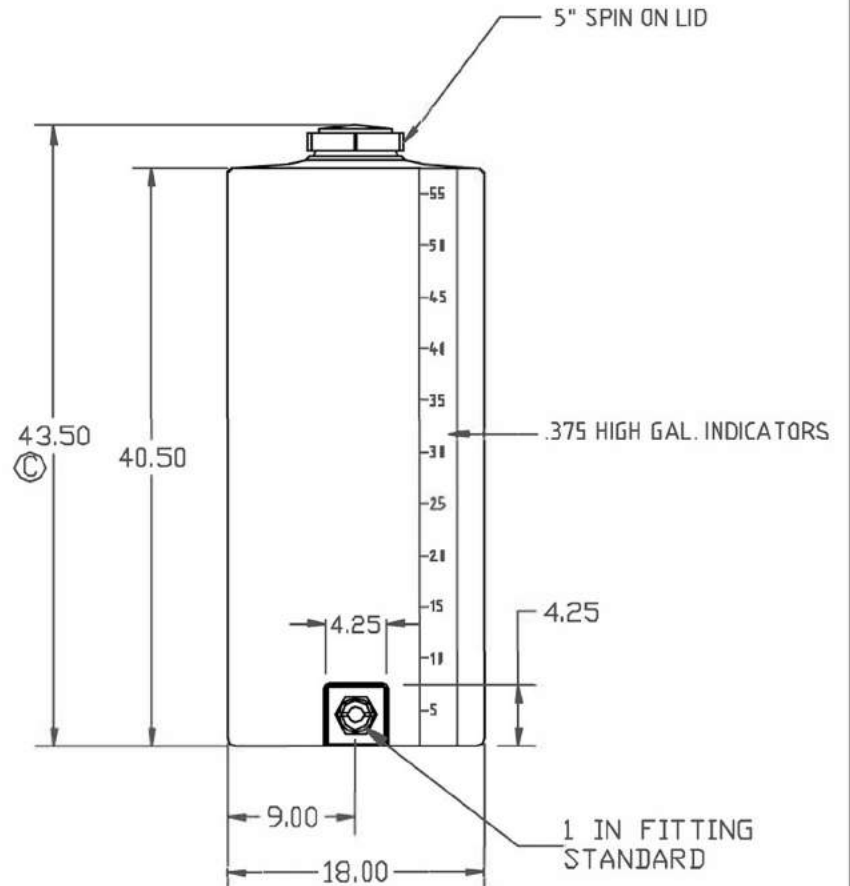
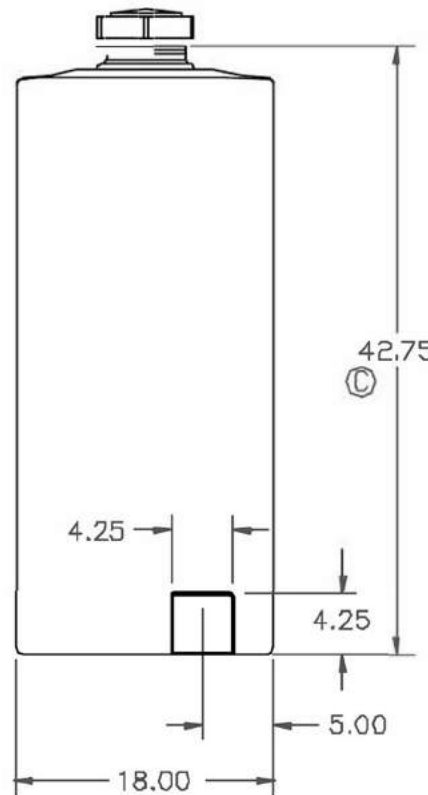
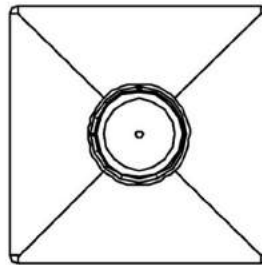
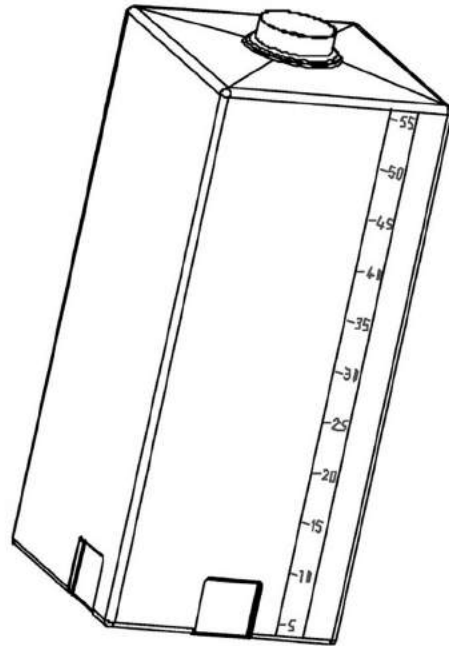
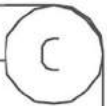


PROPRIETARY DATA

PROPERTY OF DEN HARTOG INDUSTRIES, INC. INFORMATION FURNISHED HEREON IS THE PROPERTY OF DEN HARTOG INDUSTRIES, INC. AND SHALL NOT BE USED, DISCLOSED TO OTHERS, OR COPIED WITHOUT THE EXPRESSED WRITTEN CONSENT OF DEN HARTOG INDUSTRIES, INC. ALL RIGHTS RESERVED.



CUSTOMER AUTHORIZED APPROVAL _____

DATE _____

C	UPDATE DIMENSION	4/3/17	DHJ	DRAWN / DATE	MATERIAL	CLIENT / DESCRIPTION SPECIALTY 55 GALLON RECTANGULAR TANK-MM	
B	ADDED WALL THICKNESS	11/21/06	DHJ	REH 12/31/98	POLYETHYLENE - MOBIL 19% REFERENCE MATERIAL DATA SHEET FOR SPECIFIC PROPERTIES.		
A	ADDED FITTING AND HEIGHT INFO	6/15/06	NVE	APPRD. / DATE			
REV	DESCRIPTION	DATE	APPRD.	REH 12/31/98			
ALL DIMENSIONS ARE IN DECIMAL INCHES TOLERANCES UNLESS OTHERWISE SPECIFIED $\pm 1\% @ 68^\circ F$				THIRD ANGLE PROJECTION ANSI #1.5B 	NOTES: 1. 2.7% SHRINK ALLOWANCE 2. NO COLOR - NATURAL 3. SHOT WEIGHT 31 LBS. 4. .280 WALL THICKNESS	SCALE N.S.	PART NO.