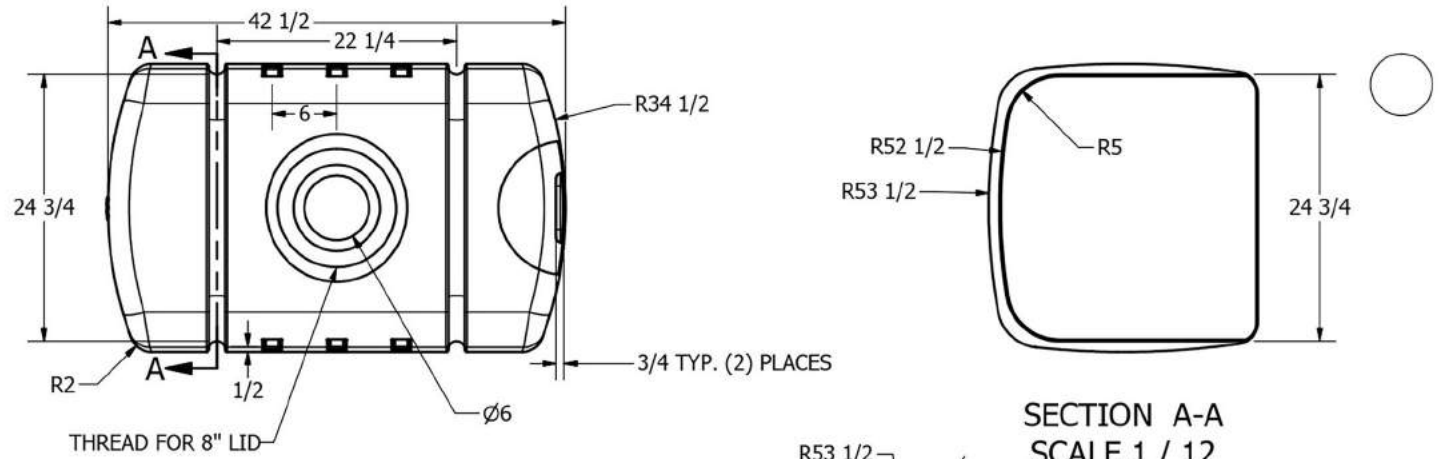
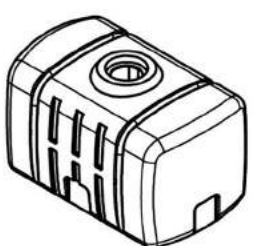
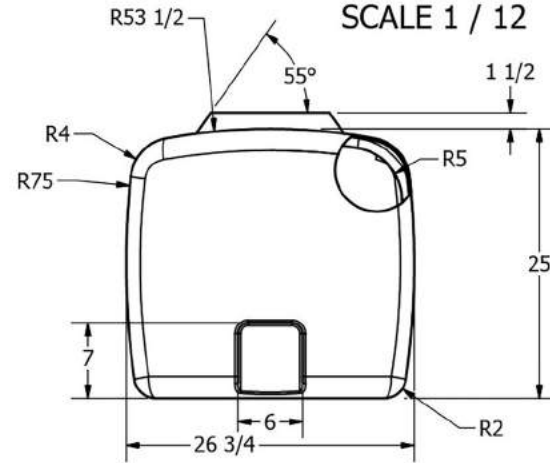
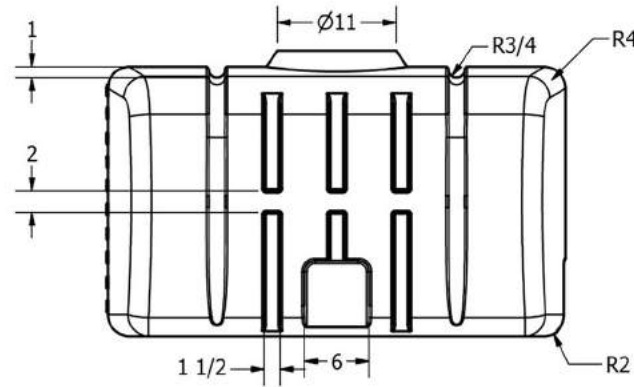
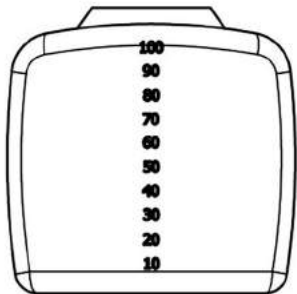


REVISION HISTORY

REV	DATE	AUTH	DESCRIPTION
		Jerry Paulson	



SECTION A-A
SCALE 1 / 12



DRAWN Jerry Paulson	7/19/2006	TITLE		
CHECKED		100 GALLON FLAT BOTTOM UTILITY TANK		
QA		SIZE	DWG NO	REV
MFG		B		
APPROVED		SCALE: 1/12	SHEET 1 OF 1	