

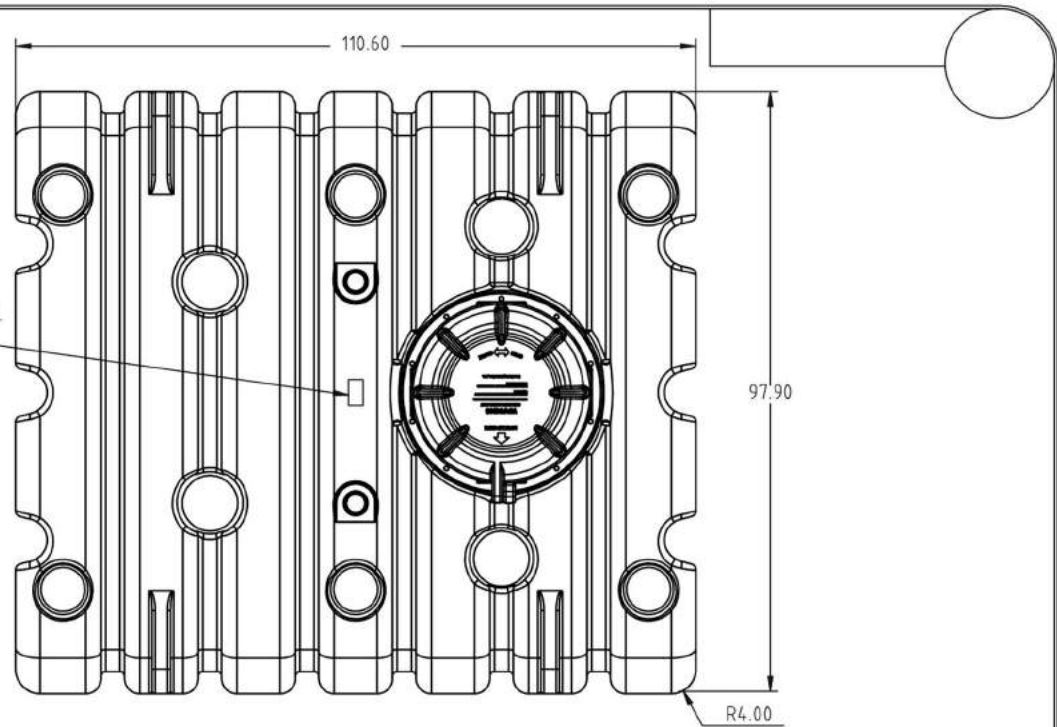
Copyright. All information furnished within this document, electronic file or design correspondence is the property of Den Hartog Industries, Inc. and shall not be used, disclosed to others or copied without the expressed written consent of Den Hartog Industries, Inc.

CAUTION LABEL 19463

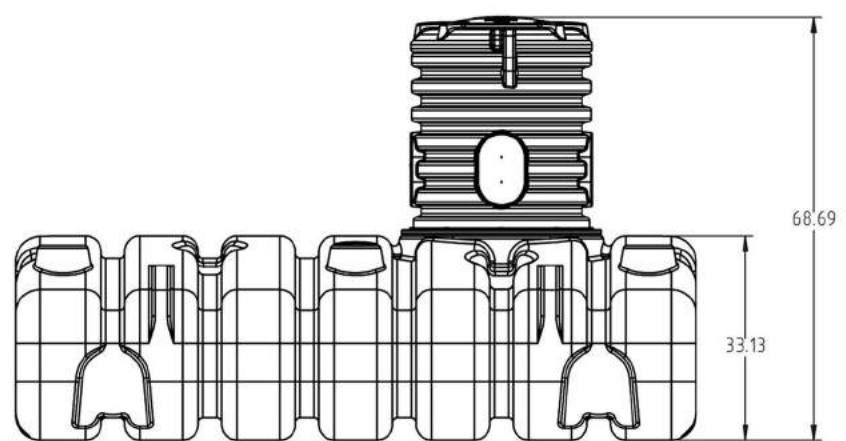
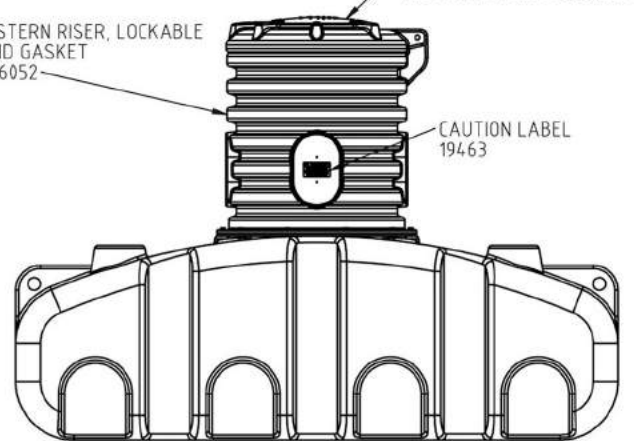
**CAUTION**  
**DO NOT OVER TIGHTEN BOLTS**  
**SNUG UP ALL BOLTS THEN EVENLY TORQUE EACH BOLT TO 10 FT. LB.**  
**FAILURE TO HEED MAY RESULT IN BOLT FAILURE AND TANK LEAKAGE**

CAUTION LABEL 19471

**CAUTION**  
**28" MAXIMUM BURIAL DEPTH TO HERE**  
**FAILURE TO HEED MAY RESULT IN TANK FAILURE**



SEE PRINT 19481 FOR LID INSTALLATION GUIDELINES  
 28" CISTERN RISER, LOCKABLE LID AND GASKET ACT-16052



		DRAWN / DATE ADH 4/8/10		MATERIAL	DESCRIPTION 1000 GALLON LOW PROFILE CISTERN WITH GROUND ACCESS ASSEMBLY
		APPRD. / DATE REH 4/14/10			
REV	DESCRIPTION	BY / DATE	CCN	NOTES:	SCALE N.S.
ALL DIMENSIONS ARE IN DECIMAL INCHES TOLERANCES UNLESS OTHERWISE SPECIFIED		THIRD ANGLE PROJECTION ANSI 14.5M			SHIPPING WEIGHT: 595.00 LBS
POLYETHYLENE ±1% @ 68°F		METAL DECIMAL ±.125" FRACTION ± 1/4" ANGLE ± 1°		FINISH:	