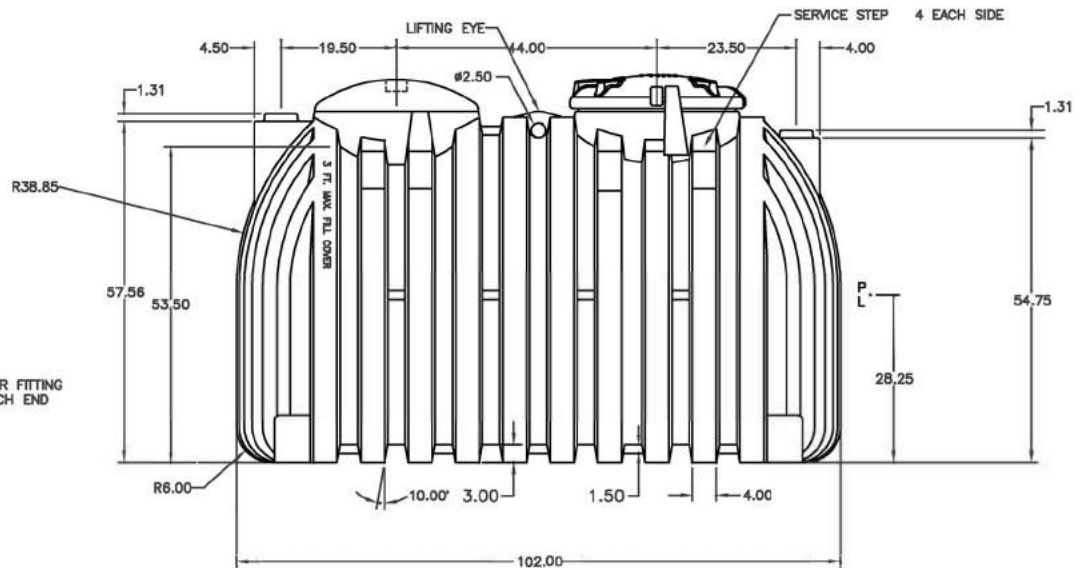
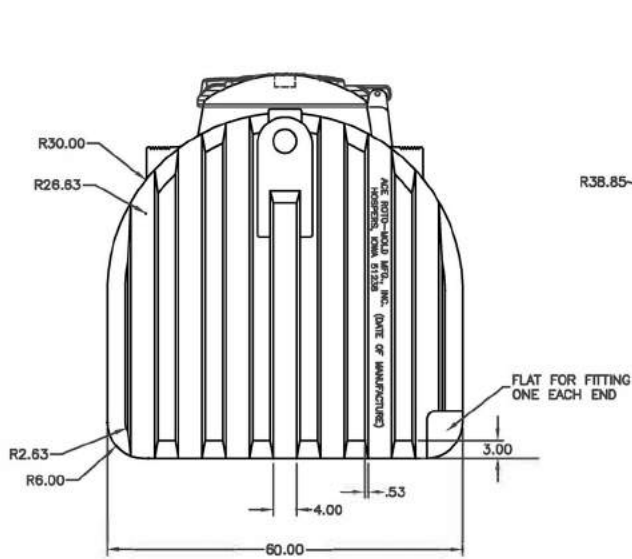
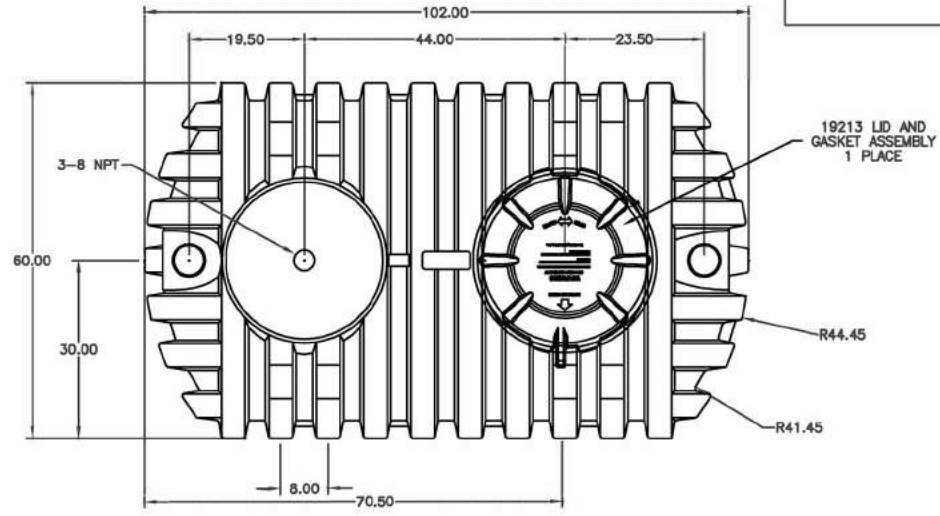


PROPRIETARY DATA

PROPERTY OF ACE ROTO-MOLD MFG., INC. INFORMATION FURNISHED HEREIN IS THE PROPERTY OF ACE ROTO-MOLD MFG., INC. AND SHALL NOT BE USED, DISCLOSED TO OTHERS, OR COPIED WITHOUT THE EXPRESSED WRITTEN CONSENT OF ACE ROTO-MOLD MFG., INC. ALL RIGHTS RESERVED.

(A) REFERENCE PUBLICATION 10039 FOR SEPTIC TANKS OR PUBLICATION 10149 FOR CISTERN TANKS FOR SPECIFIC INSTALLATION GUIDELINES.



C	CHANGE TO ONE LID	1/26/06 DHJ	DRAWN / DATE	MATERIAL	CLIENT / DESCRIPTION
B	CHANGE WEIGHT WAS 390	9/7/05 DHJ	DHJ / 6/10/04		
A	ADDED PUBLICATION REF	9/30/05 NVE	APPRD. / DATE	EXON MOBIL 8661 HDPE REFERENCE MATERIAL DATA SHEET FOR SPECIFIC PROPERTIES.	1150 GAL. CISTERN TANK
REV	DESCRIPTION	DATE	ADH / 11/6/07		
ALL DIMENSIONS ARE IN DECIMAL INCHES TOLERANCES UNLESS OTHERWISE SPECIFIED $\pm .5\% @ 68^\circ F$			THIRD ANGLE PROJECTION ANSI 14.5M	NOTES:	SCALE
				1. NOM. WALL @ .250 2. NATURAL COLOR 3. SHOT WEIGHT 414 LBS.	N.S.
					PART NO.