

Copyright. All information furnished within this document, electronic file or design correspondence is the property of Den Hartog Industries, Inc. and shall not be used, disclosed to others or copied without the expressed written consent of Den Hartog Industries, Inc.

CAUTION LABEL 19463

CAUTION

DO NOT OVER TIGHTEN BOLTS

SNUG UP ALL BOLTS THEN EVENLY TORQUE EACH BOLT TO 10 FT. LB.

FAILURE TO HEED MAY RESULT IN BOLT FAILURE AND TANK LEAKAGE

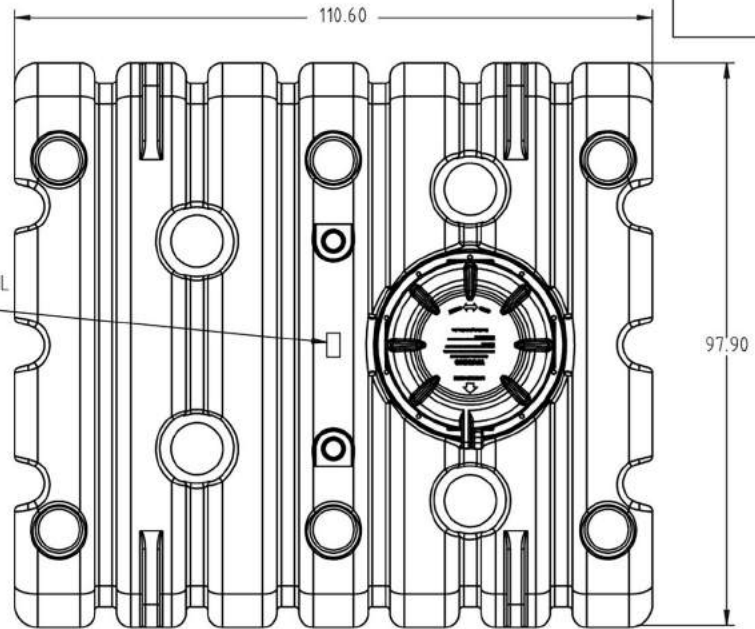
CAUTION LABEL 19471

CAUTION

28" MAXIMUM BURIAL DEPTH TO HERE

FAILURE TO HEED MAY RESULT IN TANK FAILURE

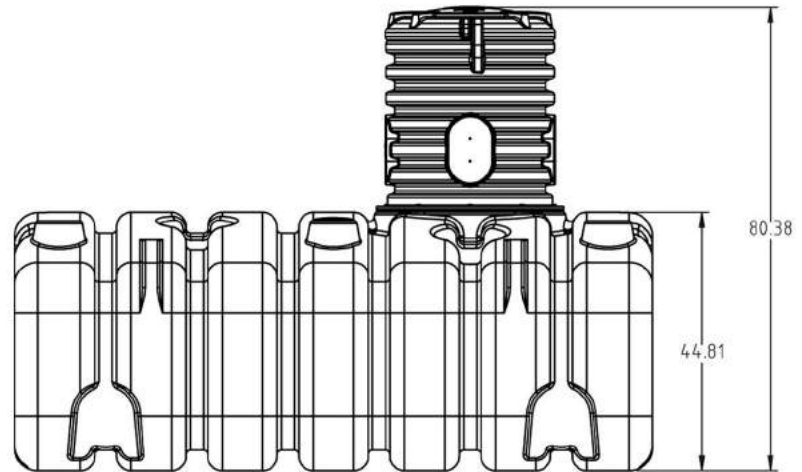
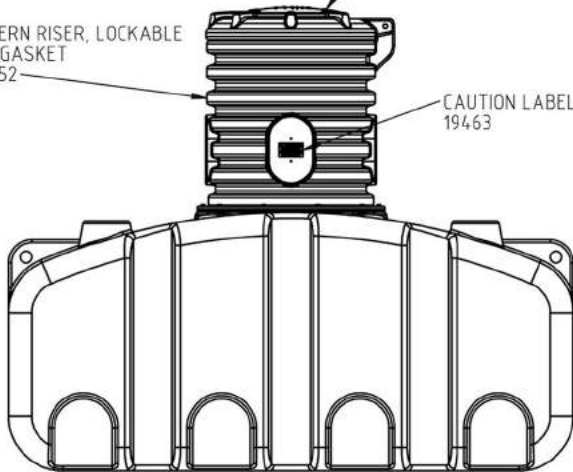
CAUTION LABEL 19471



SEE PRINT 19481 FOR LID INSTALLATION GUIDELINES

28" CISTERN RISER, LOCKABLE LID AND GASKET ACT-16052

CAUTION LABEL 19463



				DRAWN / DATE ADH 4/8/10	MATERIAL	DESCRIPTION 1500 GALLON LOW PROFILE CISTERN WITH GROUND ACCESS ASSEMBLY
				APPRD. / DATE REH 4/14/10		
REV	DESCRIPTION	BY / DATE	CCN		NOTES:	SCALE N.S.
ALL DIMENSIONS ARE IN DECIMAL INCHES TOLERANCES UNLESS OTHERWISE SPECIFIED				SHOT WEIGHT:		
POLYETHYLENE		THIRD ANGLE PROJECTION ANSI 14.5M		SHIPPING WEIGHT: 738.00 LBS		
METAL DECIMAL ± .125" FRACTION ± 1/4" ANGLE ± 1°				FINISH:		