

Copyright All information furnished within this document, electronic file or design correspondence is the property of Den Hartog Industries, Inc. and shall not be used, disclosed to others or copied without the expressed written consent of Den Hartog Industries, Inc.

CAUTION LABEL 19463

**CAUTION**

**DO NOT OVER TIGHTEN BOLTS**

**SNUG UP ALL BOLTS THEN EVENLY TORQUE EACH BOLT TO 10 FT. LB.**

**FAILURE TO HEED MAY RESULT IN BOLT FAILURE AND TANK LEAKAGE**

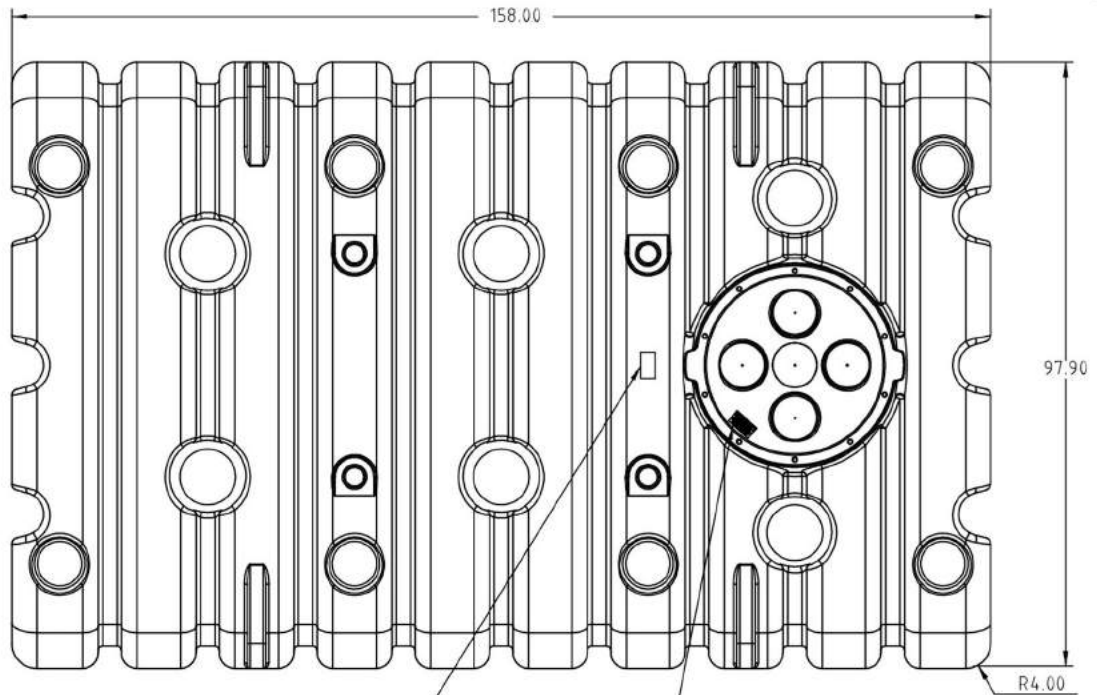
CAUTION LABEL 19471

**CAUTION**

**28" MAXIMUM BURIAL DEPTH TO HERE**

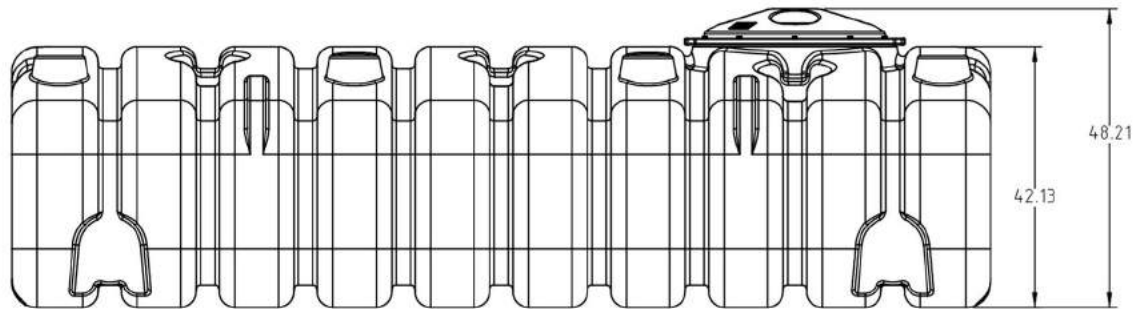
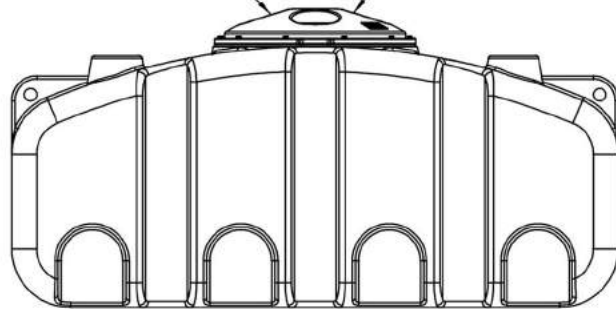
**FAILURE TO HEED MAY RESULT IN TANK FAILURE**

19471



CAUTION LABEL 19471 CAUTION LABEL 19463

CISTERN BURIAL LID AND GASKET ACT-16053  
SEE PRINT 19481 FOR LID INSTALLATION GUIDELINES



				DRAWN / DATE ADH 4/8/10	MATERIAL	DESCRIPTION 2000 GALLON LOW PROFILE CISTERN WITH BURIAL LID	
				APPRD. / DATE REH 4/14/10			
REV	DESCRIPTION	BY / DATE	CCN	SHOT WEIGHT:	NOTES:	SCALE	PART NO.
ALL DIMENSIONS ARE IN DECIMAL INCHES TOLERANCES UNLESS OTHERWISE SPECIFIED		THIRD ANGLE PROJECTION ANSI 14.5M		SHIPPING WEIGHT: 917.00 LBS		N.S.	
POLYETHYLENE		METAL DECIMAL ± .125" FRACTION ± 1/4" ANGLE ± 1°		FINISH:			