

© DEN HARTOG INDUSTRIES, INC.

Copyright: All information furnished within this document, electronic file or design correspondence is the property of Den Hartog Industries, Inc. and shall not be used, disclosed to others or copied without the expressed written consent of Den Hartog Industries, Inc.

CAUTION LABEL 19463

CAUTION

DO NOT OVER TIGHTEN BOLTS

SNUG UP ALL BOLTS THEN EVENLY TORQUE EACH BOLT TO 10 FT. LB.

FAILURE TO HEED MAY RESULT IN BOLT FAILURE AND TANK LEAKAGE

CAUTION LABEL 19471

CAUTION

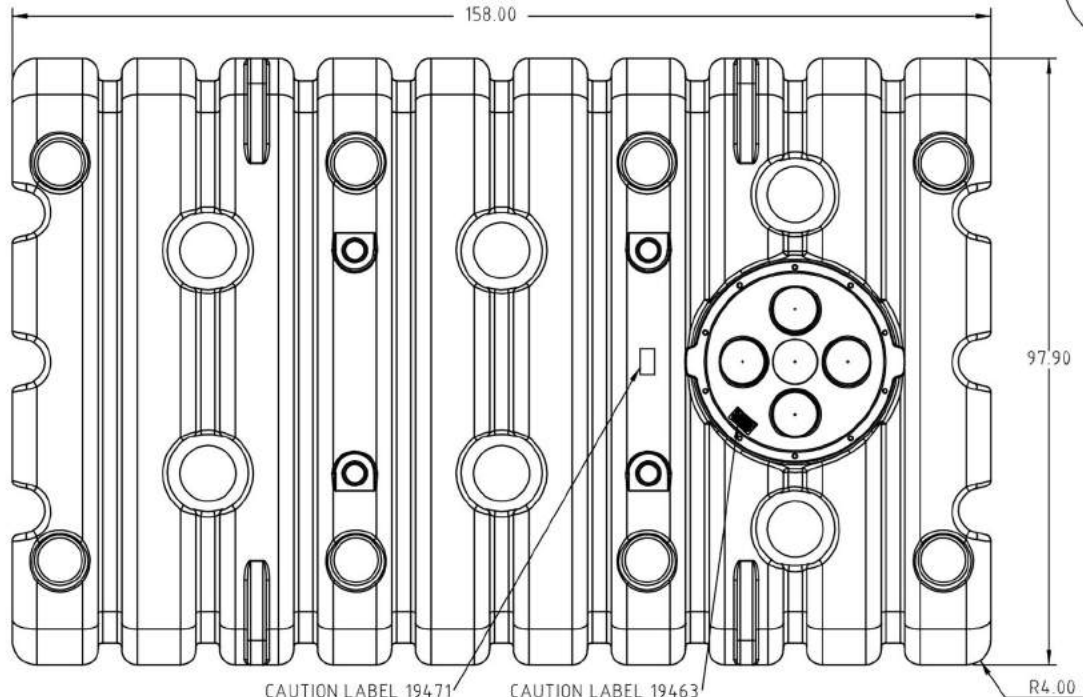
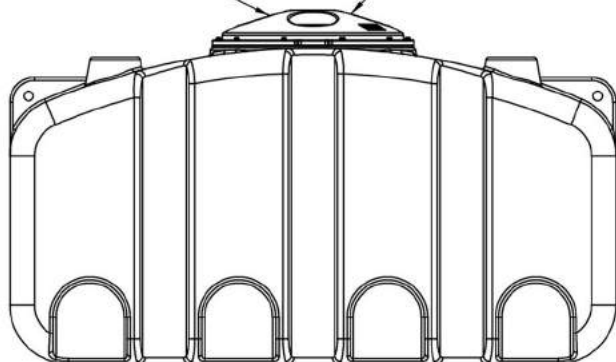
28" MAXIMUM BURIAL DEPTH TO HERE

FAILURE TO HEED MAY RESULT IN TANK FAILURE

19471

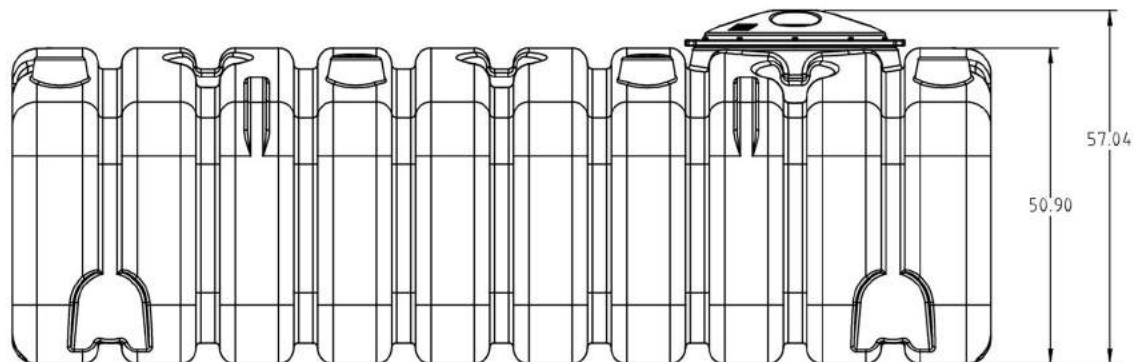
CISTERN BURIAL LID AND GASKET ACT-16053

SEE PRINT 19481 FOR LID INSTALLATION GUIDELINES



CAUTION LABEL 19471

CAUTION LABEL 19463



				DRAWN / DATE ADH 4/8/10	MATERIAL	DESCRIPTION 2500 GALLON LOW PROFILE CISTERN WITH BURIAL LID	
				APPRD. / DATE REH 4/14/10			
REV	DESCRIPTION	BY / DATE	CCN	NOTES:		SCALE N.S.	PART NO.
ALL DIMENSIONS ARE IN DECIMAL INCHES TOLERANCES UNLESS OTHERWISE SPECIFIED		THIRD ANGLE PROJECTION ANSI 14.5M		SHOT WEIGHT:			
POLYETHYLENE		METAL DECIMAL ± .125" FRACTION ± 1/4" ANGLE ± 1°		SHIPPING WEIGHT: 1031.00 LBS			
±1% @ 68°F				FINISH:			

UWA2500

(866) 776-8265

PROTANK

sales@protank.com