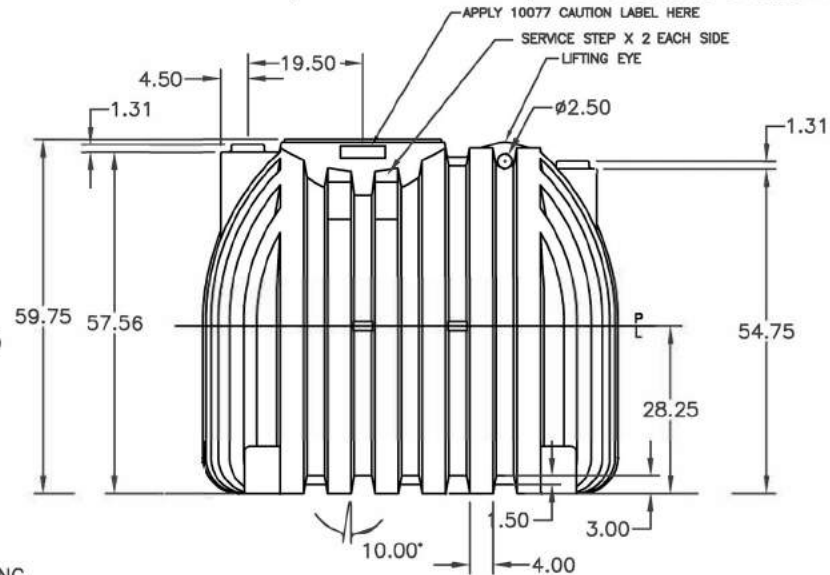
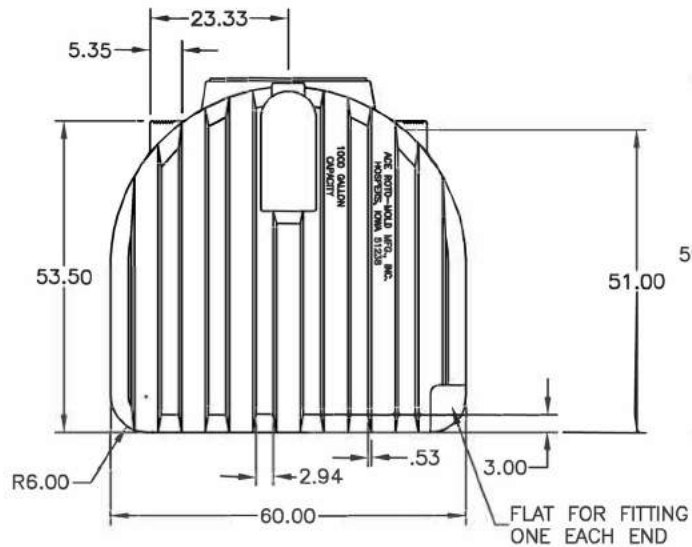
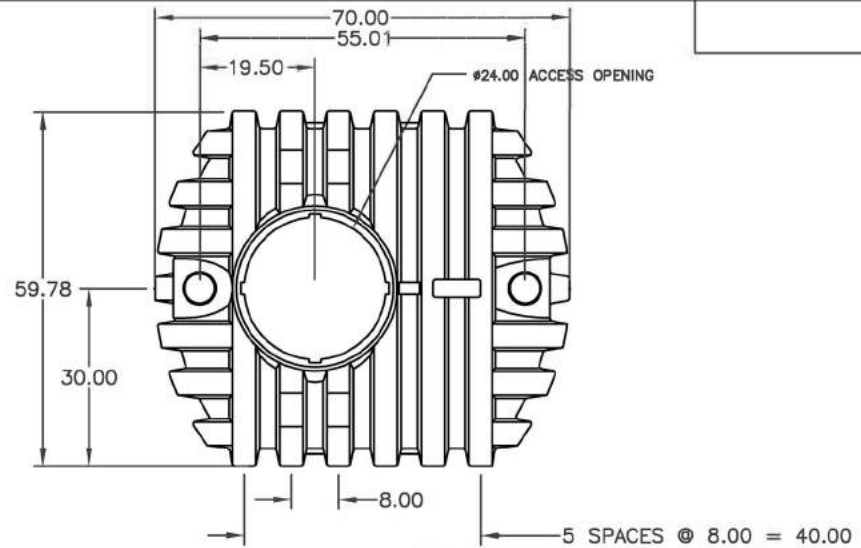


PROPRIETARY DATA

PROPERTY OF ACE ROTO-MOLD MFG., INC. INFORMATION FURNISHED HEREIN IS THE PROPERTY OF ACE ROTO-MOLD MFG., INC. AND SHALL NOT BE USED, DISCLOSED TO OTHERS, OR COPIED WITHOUT THE EXPRESSED WRITTEN CONSENT OF ACE ROTO-MOLD MFG., INC. ALL RIGHTS RESERVED.

B

(A) REFERENCE PUBLICATION 10039 FOR SEPTIC TANKS OR PUBLICATION 10149 FOR CISTERN TANKS FOR SPECIFIC INSTALLATION GUIDELINES.



				DRAWN / DATE NVE 6/23/05	MATERIAL		
B	ADDED FITTING FLATS	3/13/06	DHJ	APPRD. / DATE DHJ 9/21/05	MOBIL 111 HDPE OR EQUIVALENT REFERENCE MATERIAL DATA SHEET FOR SPECIFIC PROPERTIES.	CLIENT / DESCRIPTION	
A	ADDED PUBLICATION REF	9/30/05	NVE			850 GALLON CISTERN TANK	
REV	DESCRIPTION	DATE	APPRD			SCALE	PART NO.
ALL DIMENSIONS ARE IN DECIMAL INCHES TOLERANCES UNLESS OTHERWISE SPECIFIED ± 1% @ 68° F				THIRD ANGLE PROJECTION ANSI 14.5M 	NOTES: 1. NOM. WALL @ .250 2. WHITE COLOR 3. SHOT WEIGHT 259 LBS.	N.S.	