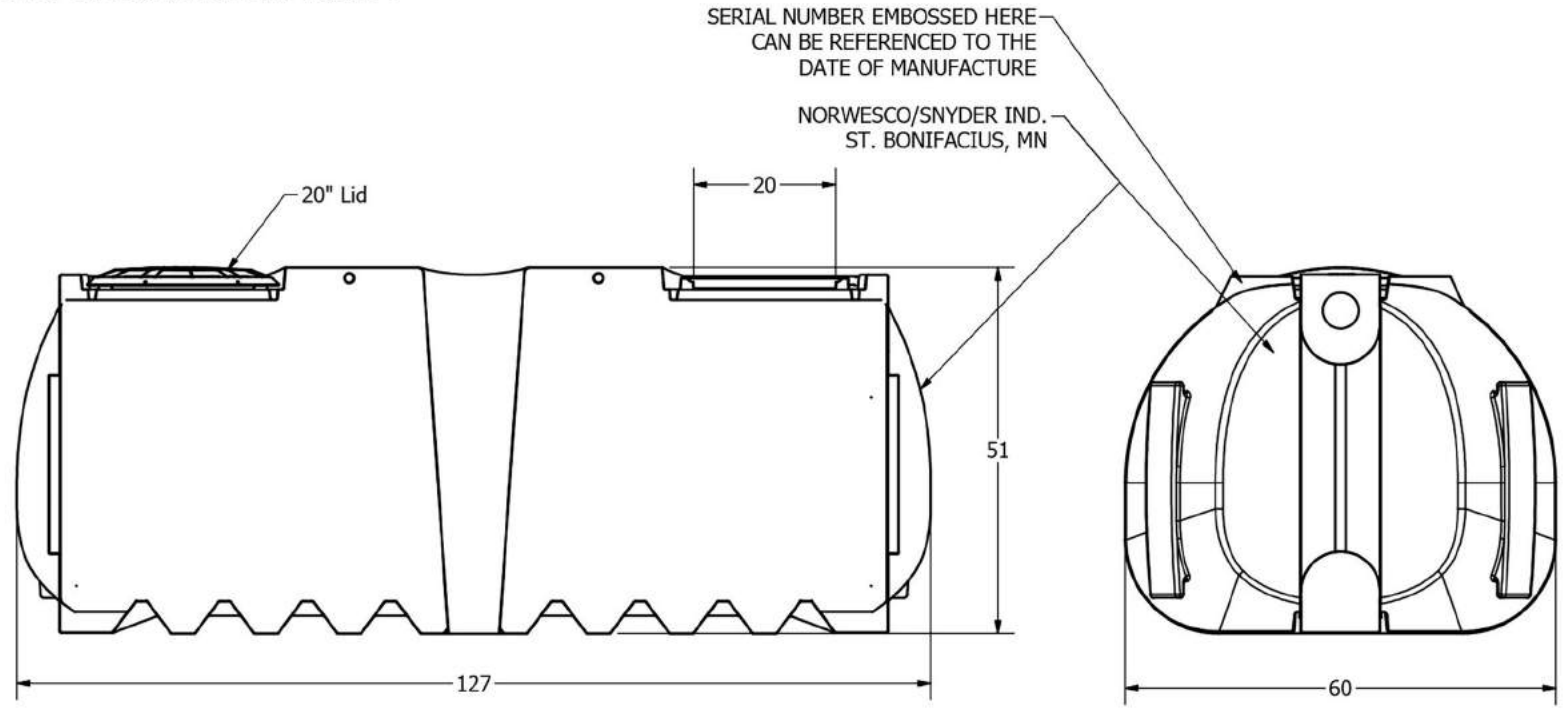


MATERIAL: HIGH-DENSITY POLYETHYLENE
NSF 61 LISTED
1175 US GALLONS WORKING CAPACITY

REVISION HISTORY				
ZONE	REV	DESCRIPTION	DATE	APPROVED



DRAWN Todd Bolzer	7/6/2015			
CHECKED		TITLE		
QA		1175 LOW PROFILE CISTERN		
MFG		SIZE	DWG NO	REV
APPROVED		B		
		SCALE: 1/16		SHEET 1 OF 1

ALL DIMENSIONS ARE IN INCHES, NOMINAL, AND SUBJECT TO CHANGE WITHOUT NOTICE.
 ALL DIMENSIONS ON ROTATIONALLY MOLDED PARTS ARE SUBJECT TO A ±3% TOLERANCE

UWN1175

(866) 776-8265

PROTANK

sales@protank.com