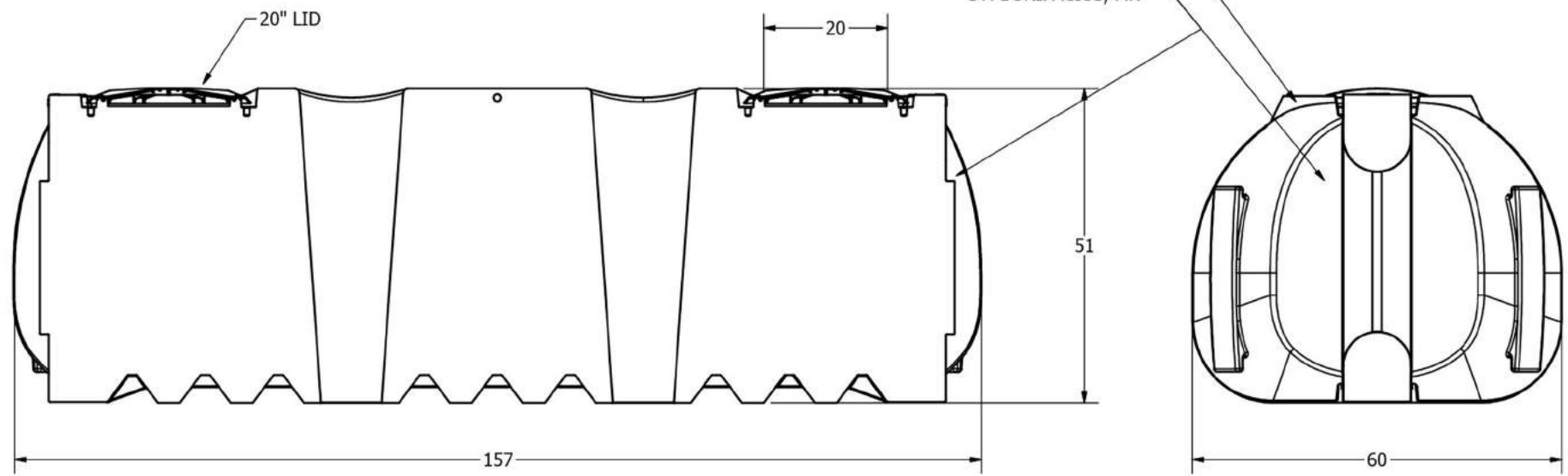


MATERIAL: HIGH-DENSITY POLYETHYLENE
NSF 61 LISTED
1425 US GALLONS WORKING CAPACITY

ZONE		REV	REVISION HISTORY	DESCRIPTION	DATE	APPROVED

SERIAL NUMBER EMBOSSED HERE
 CAN BE REFERENCED TO THE
 DATE OF MANUFACTURE

NORWESCO/SNYDER IND.
 ST. BONIFACIUS, MN



DRAWN Todd Bolzer	7/6/2015	TITLE		
CHECKED		1425 LOW PROFILE CISTERN		
QA		SIZE	DWG NO	REV
MFG		B		
APPROVED		SCALE: 1/16		SHEET 1 OF 1

ALL DIMENSIONS ARE IN INCHES, NOMINAL, AND SUBJECT TO CHANGE WITHOUT NOTICE.
 ALL DIMENSIONS ON ROTATIONALLY MOLDED PARTS ARE SUBJECT TO A ±3% TOLERANCE