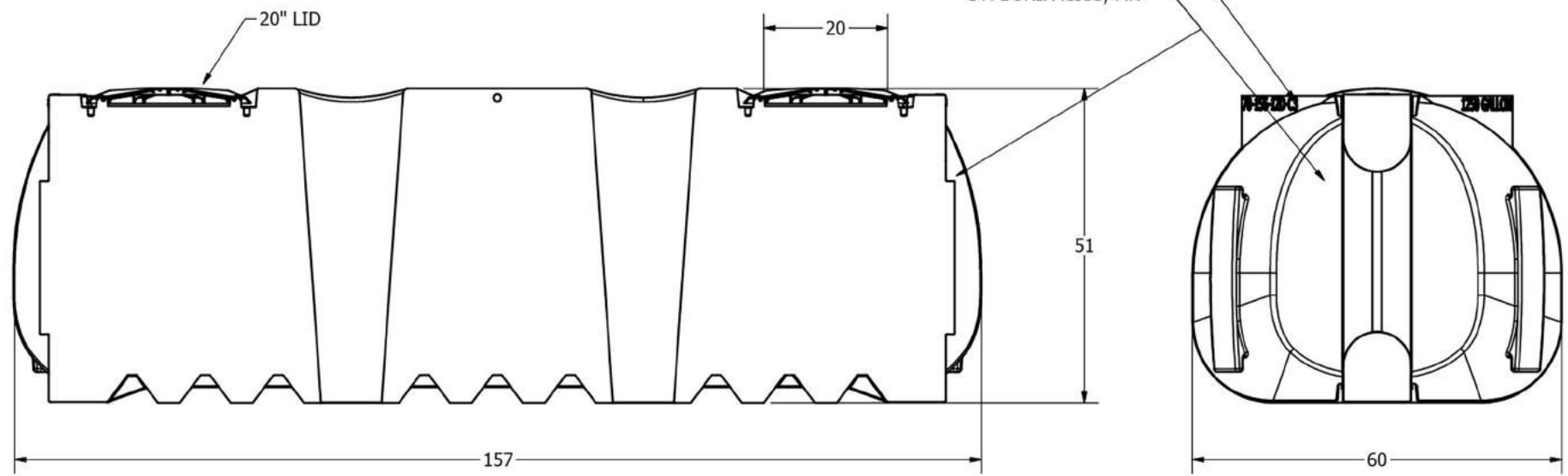


**MATERIAL: HIGH-DENSITY POLYETHYLENE**  
**NSF 61 LISTED**  
**1450 US GALLONS WORKING CAPACITY**

ZONE		REV	REVISION HISTORY	DESCRIPTION	DATE	APPROVED

SERIAL NUMBER EMBOSSED HERE  
 CAN BE REFERENCED TO THE  
 DATE OF MANUFACTURE

NORWESCO/SNYDER IND.  
 ST. BONIFACIUS, MN



DRAWN Todd Bolzer	7/6/2015	TITLE		
CHECKED		1450 LOW PROFILE CISTERN		
QA		SIZE	DWG NO	REV
MFG		B		
APPROVED		SCALE: 1/16		SHEET 1 OF 1

ALL DIMENSIONS ARE IN INCHES, NOMINAL, AND SUBJECT TO CHANGE WITHOUT NOTICE.  
 ALL DIMENSIONS ON ROTATIONALLY MOLDED PARTS ARE SUBJECT TO A ±3% TOLERANCE

**UWN1450**

**(866) 776-8265**

**PROTANK**

**sales@protank.com**