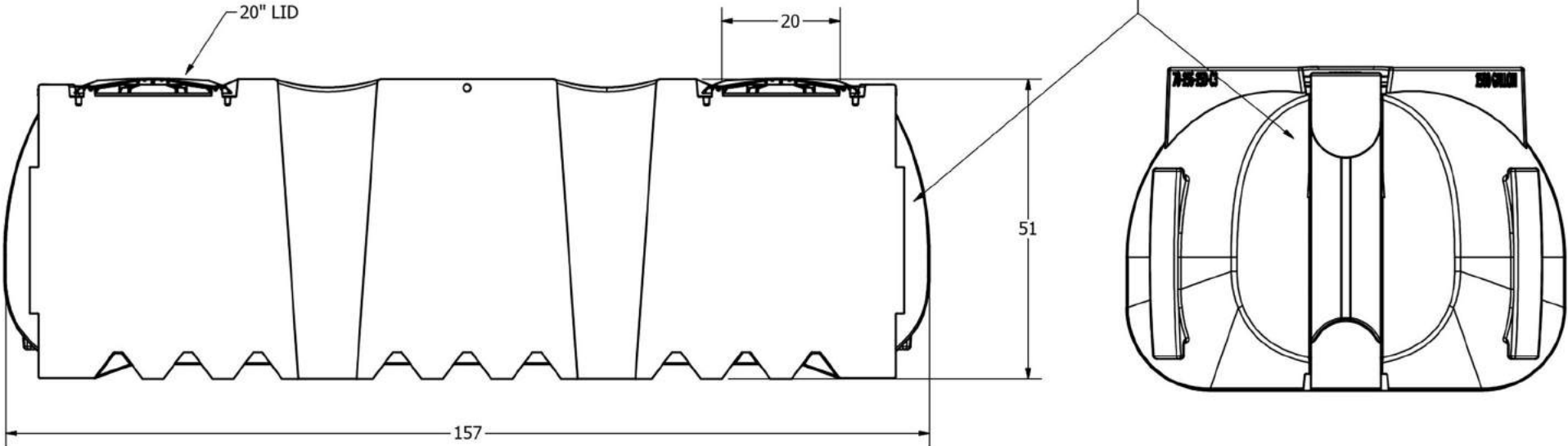


MATERIAL: HIGH-DENSITY POLYETHYLENE
 NSF 61 LISTED
 1750 US GALLONS WORKING CAPACITY

| REVISION HISTORY | | | | |
|------------------|-----|-------------|------|----------|
| ZONE | REV | DESCRIPTION | DATE | APPROVED |
| | | | | |

NORWESCO, INC.
 ST. BONIFACIUS, MN



| | | | | |
|----------------------|----------|--------------------------|--------|--------------|
| DRAWN Todd Bolzer | 7/6/2015 | TITLE | | |
| CHECKED | | 1750 LOW PROFILE CISTERN | | |
| QA | | SIZE | DWG NO | REV |
| MFG | | B | | |
| APPROVED | | SCALE: 1/16 | | SHEET 1 OF 1 |

ALL DIMENSIONS ARE IN INCHES, NOMINAL, AND SUBJECT TO CHANGE WITHOUT NOTICE.
 ALL DIMENSIONS ON ROTATIONALLY MOLDED PARTS ARE SUBJECT TO A ±3% TOLERANCE

UWN1750

(866) 776-8265

PROTANK

sales@protank.com