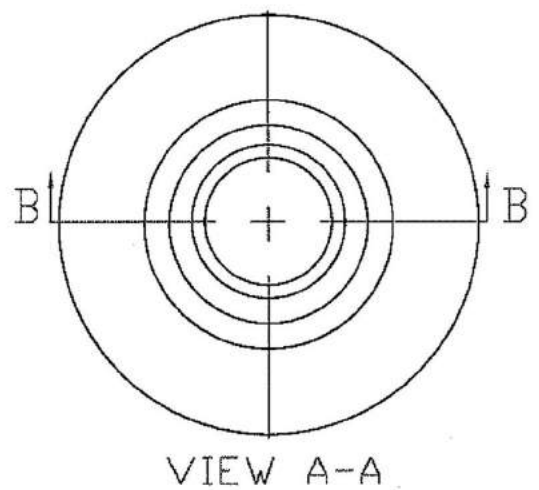
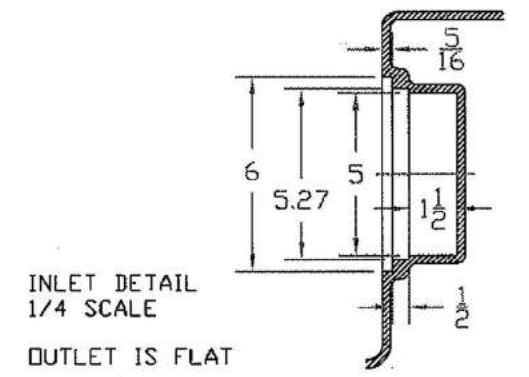
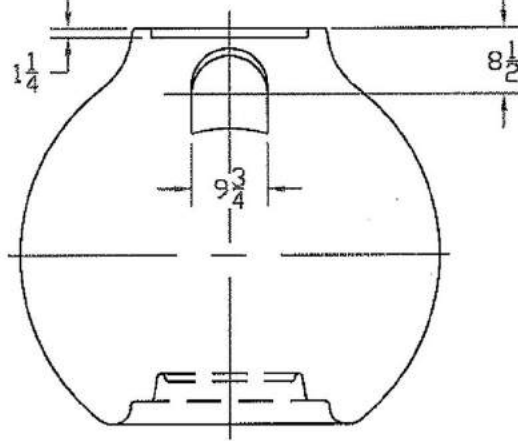
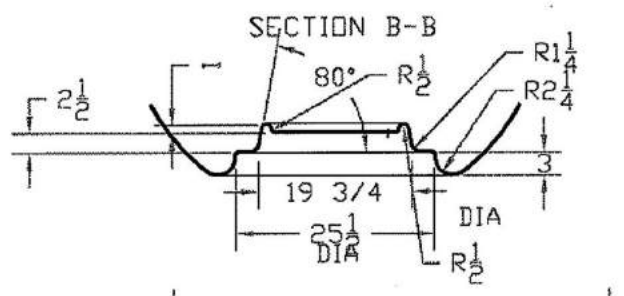
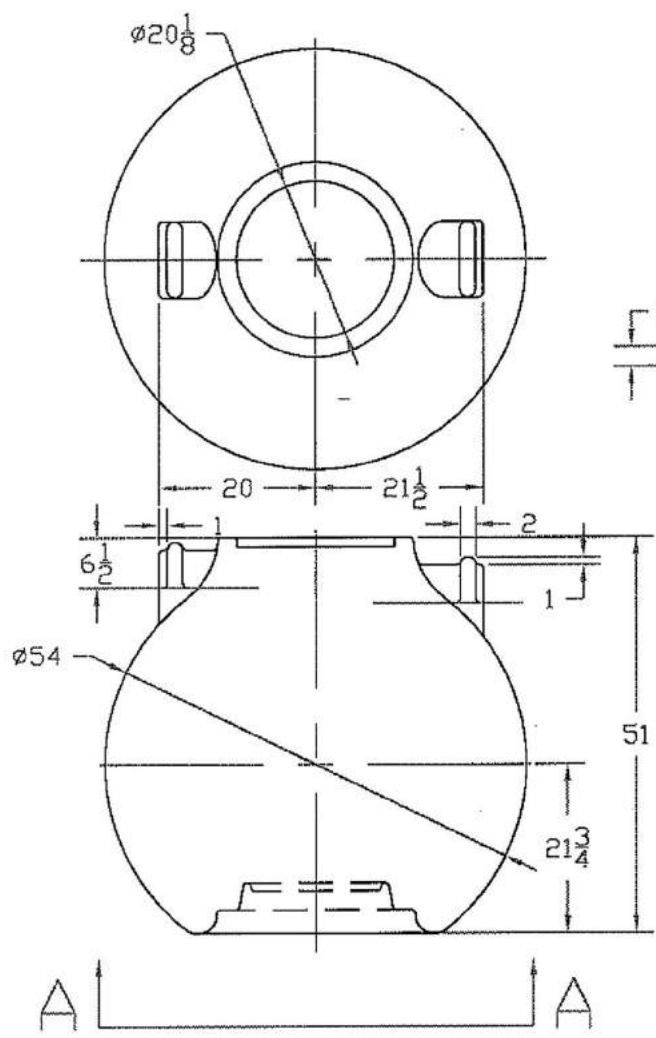


REVISIONS				
ZONE	REV	DESCRIPTION	DATE	APPROVED



		325 GALLON CISTERN		
JTP	2SEP98	SIZE B	FSCM NO.	DWG NO.
		SCALE 1/16	SHEET	