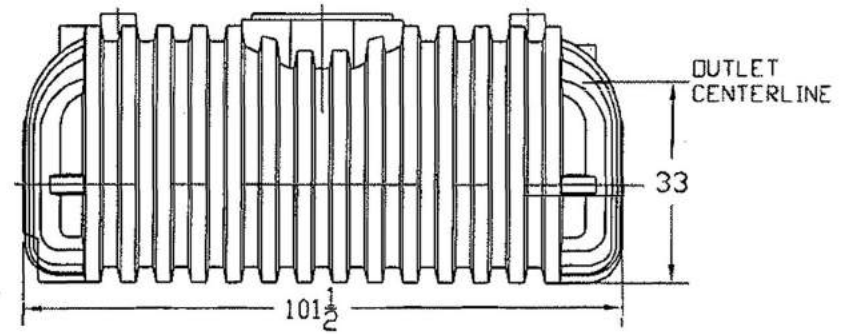
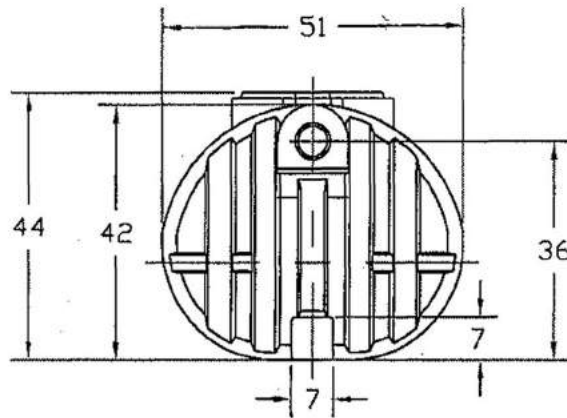
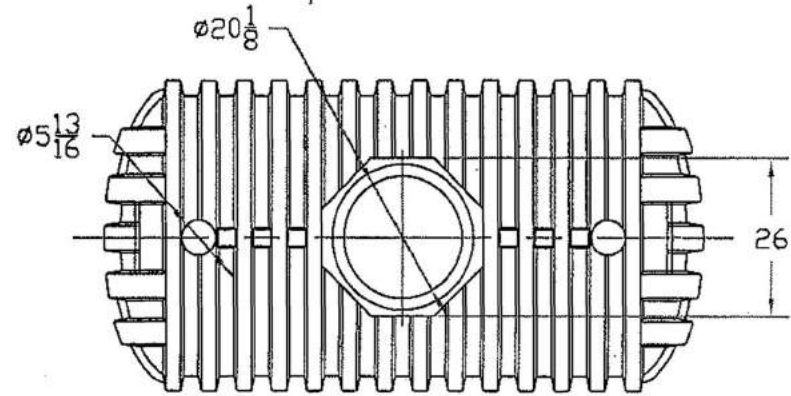


INTLET/OUTLET DETAIL  
1/4 SCALE

REVISIONS				
ZONE	REV	DESCRIPTION	DATE	APPROVED



		600 GALLON CISTERN		
JTP	21JAN03	SIZE B	FSCM NO.	OWG NO.
				REV