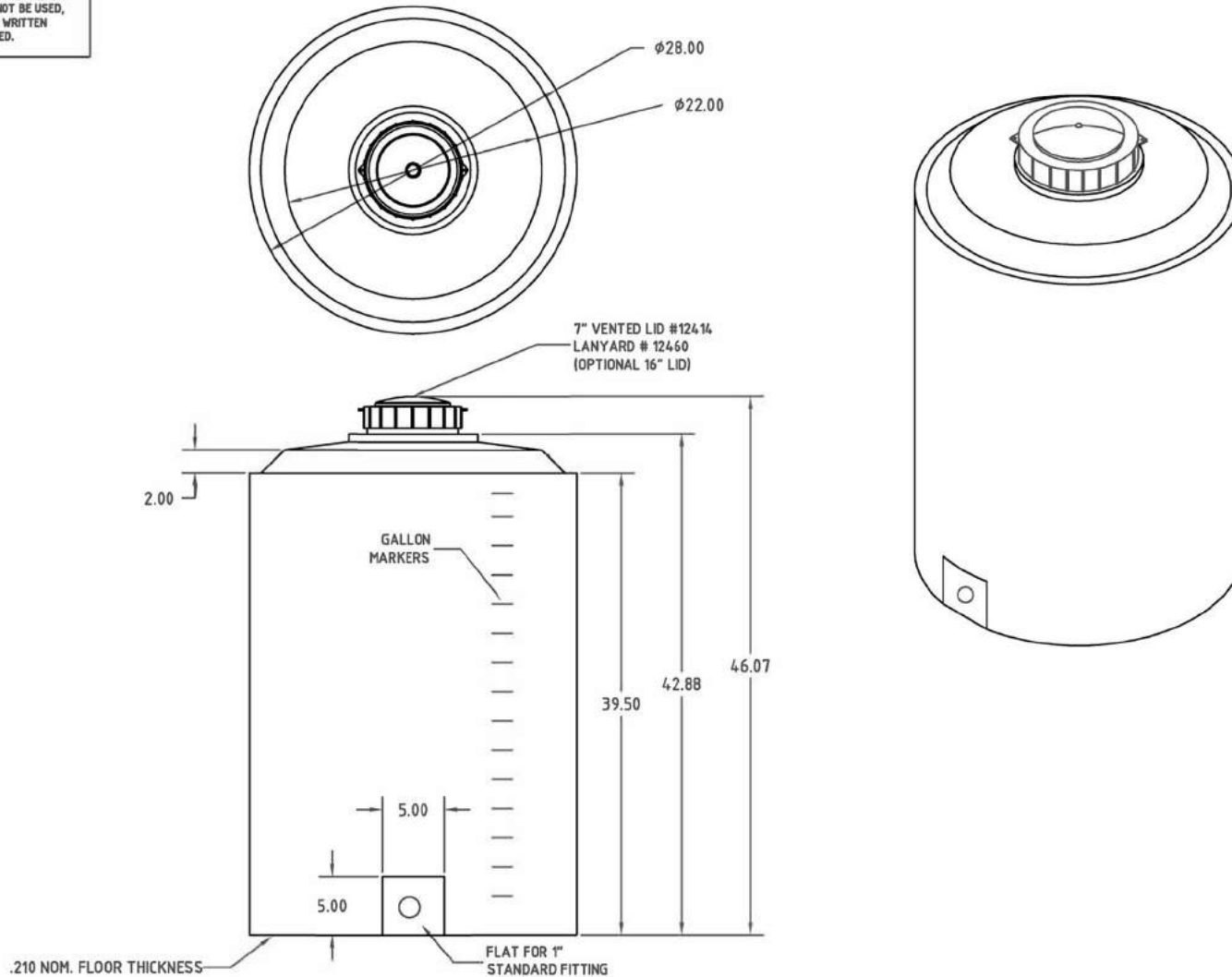


PROPRIETARY DATA

PROPERTY OF ACE ROTO-MOLD MFG., INC. INFORMATION FURNISHED HEREIN IS THE PROPERTY OF ACE ROTO-MOLD MFG., INC. AND SHALL NOT BE USED, DISCLOSED TO OTHERS, OR COPIED WITHOUT THE EXPRESSED WRITTEN CONSENT OF ACE ROTO-MOLD MFG., INC. ALL RIGHTS RESERVED.

B



			DRAWN /DATE	MATERIAL / SHOT WEIGHT		
B	CHANGE TO 7" LID	7/9/07 DHJ	DHJ 4/25/03	POLYETHYLENE 36 LBS.	CLIENT / DESCRIPTION	
A	CHANGED TOP OF TANK 11/2/05 NVE		APPRD. /DATE			
REV	DESCRIPTION	DATE APPRD.	GWC 6/29/07	100 GALLON VERTICAL TANK		
ALL DIMENSIONS ARE IN DECIMAL INCHES TOLERANCES UNLESS OTHERWISE SPECIFIED ± 1% @ 68° F			THIRD ANGLE PROJECTION ANSI 14.5M	NOTES: 1. BLACK, WHITE OR YELLOW COLOR 2. NOM. WALL .215	SCALE	PART NO.
				NONE		