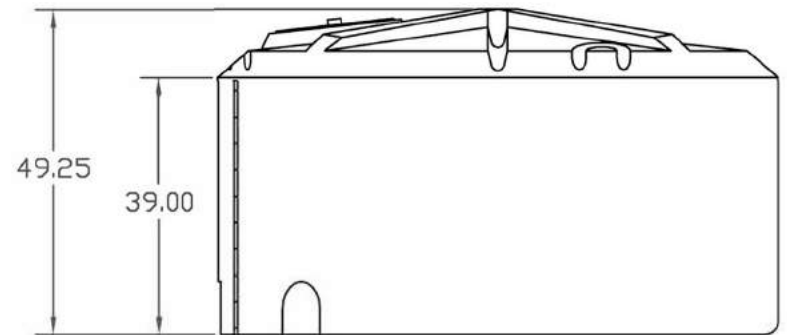
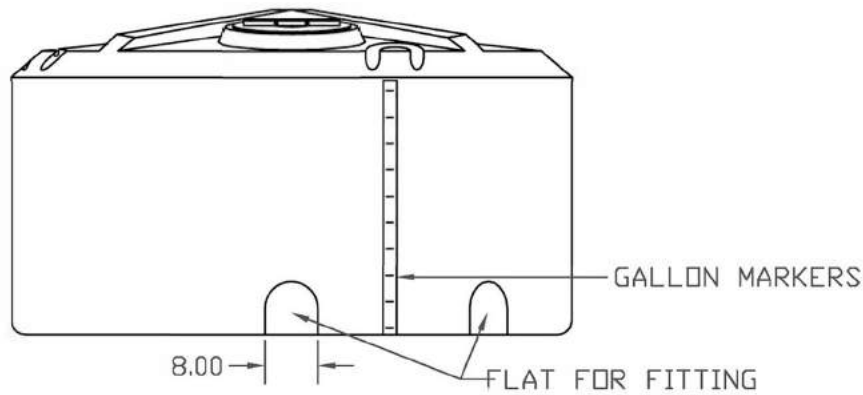
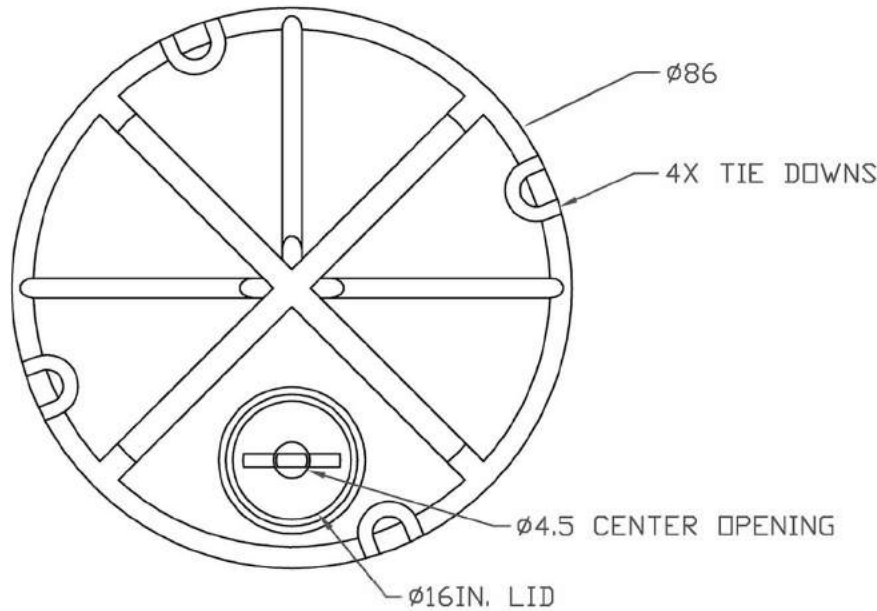


PROPRIETARY DATA

PROPERTY OF ACE ROTO-MOLD MFG., INC. INFORMATION FURNISHED HEREIN IS THE PROPERTY OF ACE ROTO-MOLD MFG., INC. AND SHALL NOT BE USED, DISCLOSED TO OTHERS, OR COPIED WITHOUT THE EXPRESSED WRITTEN CONSENT OF ACE ROTO-MOLD MFG., INC. ALL RIGHTS RESERVED.

A



				DRAWN / DATE DHJ 1/23/03		MATERIAL			
				APPRD. / DATE ADH 11/9/07		HDPE OR EQUIVALENT REFERENCE MATERIAL DATA SHEET FOR SPECIFIC PROPERTIES.			
REV	DESCRIPTION	DATE	APPRD	CLIENT / DESCRIPTION					
A	UPDATE DIAMETER	8/30/06		1050 GALLON GUSSET TOP TANK					
ALL DIMENSIONS ARE IN DECIMAL INCHES TOLERANCES UNLESS OTHERWISE SPECIFIED ± 1% @ 68° F				THIRD ANGLE PROJECTION ANSI 14.5M		NOTES: 1. 1.5 SPECIFIC GRAVITY 2. SHOT WEIGHT 175 LBS. 3. .245 NOM. WALL		SCALE	PART NO.
								N.S.	

VSA1050-G

(866) 776-8265

PROTANK

sales@protank.com